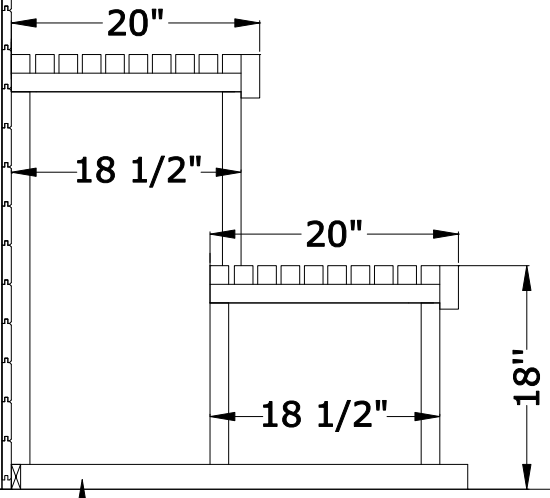


7'-1 3/8" to Metal Stud Joist
 7'-0 3/4" to Sheetrock
 7'-0" to Wood Nailing Strip (final nailing surface)
 6'-11 1/4" to Wood Paneling

- 3/4" MOLDING
- METAL STUD
- R-13 INS. (3 1/2" FIBERGLASS)
- 5/8" DRYWALL
- 1"X2" NAILING STRIP
- TYPE C FOIL
- 1"X4" A GRADE WESTERN RED CEDAR

BENCH TOPS MADE OF 2"x2" MATCHING MATERIAL
 SPACING 7/16"
 BENCH FACING 2"x4" MATCHING MATERIAL



(Side view of benches)

1"X2" BASE
 Seal between base and floor
 with clear silicone sealant.

SCALE 3/4"=1'

METAL STUD FRAMING

FINLANDIA
 sauna products, INC.
 14010-B S.W. 72nd AVENUE
 PORTLAND, OREGON 97224-0088