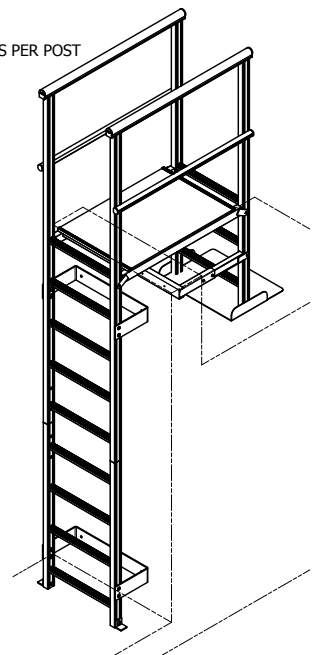
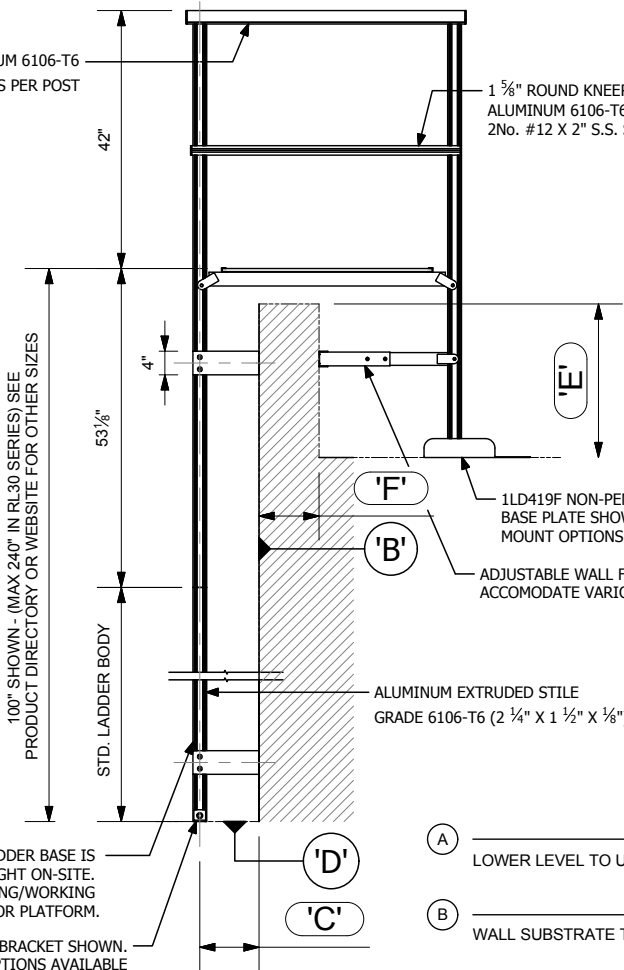
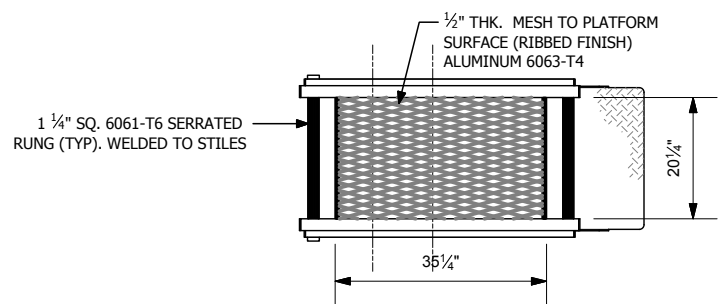


2" ROUND HANDRAIL TUBE, ALUMINUM 6106-T6
2No. #10 X 5/8" S.S SELF TAPPING SCREWS PER POST



LADDER SUPPLIED IN KIT FORM. THE LADDER BASE IS DESIGNED TO BE CUT TO REQUIRED HEIGHT ON-SITE. TOP RUNG MUST BE LEVEL WITH WALKING/WORKING SURFACE OR PLATFORM.

1LD419S FLOOR MOUNT BRACKET SHOWN. VARIOUS MOUNTING OPTIONS AVAILABLE



- (A) _____
LOWER LEVEL TO UPPER LEVEL WALKING/WORKING HEIGHT
- (B) _____
WALL SUBSTRATE TYPE (IE: BRICK, CONCRETE BLOCK, METAL SIDING, ETC)
- (C) _____
WALL TO CENTERLINE OF LADDER. OSHA 1910.27(C)(4) STATES THAT THE DISTANCE FROM THE CENTERLINES OF THE RUNGS TO THE NEAREST PERMANENT OBJECT SHALL NOT BE LESS THAN 7". OSHA ALSO REQUIRES A PLATFORM IF THE DISTANCE EXCEEDS 12". PLEASE STATE WIDTH OF ANY GUTTER OR OBJECT. (E.G GUTTER 9" WIDE). FIXFAST WILL ENSURE THE CORRECT BRACKET IS SUPPLIED.
- (D) _____
FLOOR SUBSTRATE TYPE (IE, ROOF MEMBRANE, CONCRETE, METAL ROOF, ETC)
- (E) _____
INTERNAL PARAPET WALL HEIGHT
- (F) _____
PARAPET WALL WIDTH

PROJECT REF: _____
CONTRACTOR: _____
APPROVED BY: _____
SIGN HERE: _____

AVAILABLE LADDER KITS	
CODE	HEIGHTS UP TO
RL32.53	53" (4' 5")
RL32.100	100" (8'4")
RL32.147	147" (12' 3")
RL32.195	195" (16' 3")
RL32.240	240" (20')

REVISIONS				
Rev	Date	By	Rep	Remarks
1	24/05/2016	RP	WL	Issued for Comment
2	18/07/2016	RP	WL	Issued for Publication

Maximum safety. Minimum fuss.

FIXFAST USA
6210S Indianapolis Road
Whitestown IN 46075 USA
Tel:- +1 317 769 7710
Fax:- +1 317 769 5560
Email:- technical@fixfastusa.com
Web:- www.fixfastusa.com

FIXFAST USA CONFIDENTIAL MATERIAL
THIS DRAWING IS THE PROPERTY OF 'FIXFAST USA' AND SHALL NOT BE COPIED OR DISCLOSED TO A THIRD PARTY IN WHOLE OR PART WITHOUT THE CONSENT IN WRITING OF 'FIXFAST USA'.

Description Standard Access Ladder With Parapet Mount			
Material			
Product Code RL32 SERIES	FAB No.	Drawing No. 7058	Rev 2