

FRONT ELEVATION
NTS

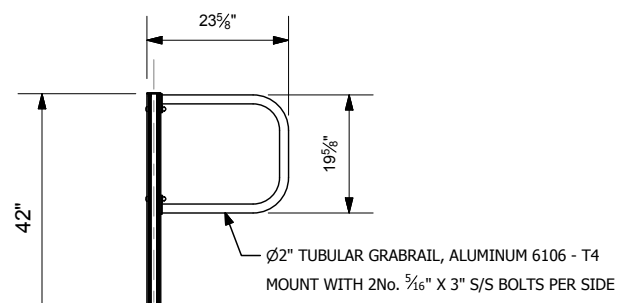
SAFETY CAP

1LD421280 WALL FIXING BRACKET AS STANDARD. OTHER FIXING BRACKETS AVAILABLE TO MEET SPECIFIC APPLICATIONS.

LADDER BODY CONNECTED WITH SPLICE JOIN. SEE TYP. DETAIL FOR FURTHER INFORMATION

100" SHOWN - (MAX. 240" IN RL30 SERIES) SEE PRODUCT DIRECTORY OR WEBSITE FOR OTHER SIZES

STD. LADDER BODY



Ø2" TUBULAR GRABRAIL, ALUMINUM 6106 - T4
MOUNT WITH 2No. 5/16" X 3" S/S BOLTS PER SIDE

'B'

EQUAL SPACING NOT TO EXCEED 96" O.C.

ALUMINUM EXTRUDED STILE
GRADE 6106-T6 (2 1/4" X 1 1/2" X 1/8")

'D'

'C'

LADDER SUPPLIED IN KIT FORM. THE LADDER BASE IS DESIGNED TO BE CUT TO REQUIRED HEIGHT ON-SITE. TOP RUNG MUST BE LEVEL WITH WALKING/WORKING SURFACE OR PLATFORM.

1LD419S FLOOR MOUNT BRACKET SHOWN. VARIOUS MOUNTING OPTIONS AVAILABLE

PROJECT REF: _____

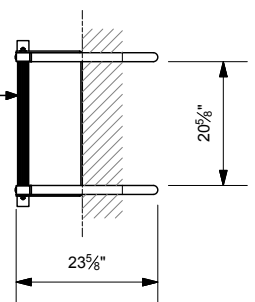
CONTRACTOR: _____

APPROVED BY: _____

SIGN HERE: _____

AVAILABLE LADDER KITS	
CODE	HEIGHTS UP TO
RL31.53	53" (4' 5")
RL31.100	100" (8' 4")
RL31.147	147" (12' 3")
RL31.195	195" (16' 3")
RL31.240	240" (20')

1 1/4" SQ. ALUMINUM SERRATED RUNG (TYP) - 6061-T6 WELDED TO STILES



- (A) _____
LOWER LEVEL TO UPPER LEVEL WALKING/WORKING HEIGHT
- (B) _____
WALL SUBSTRATE TYPE (IE: BRICK, CONCRETE BLOCK, METAL SIDING, ETC)
- (C) _____
WALL TO CENTERLINE OF LADDER. OSHA 1910.27(C)(4) STATES THAT THE DISTANCE FROM THE CENTERLINES OF THE RUNGS TO THE NEAREST PERMANENT OBJECT SHALL NOT BE LESS THAN 7". OSHA ALSO REQUIRES A PLATFORM IF THE DISTANCE EXCEEDS 12". PLEASE STATE WIDTH OF ANY GUTTER OR OBJECT. (E.G GUTTER 9" WIDE). FIXFAST WILL ENSURE THE CORRECT BRACKET IS SUPPLIED.
- (D) _____
FLOOR SUBSTRATE TYPE (IE, ROOF MEMBRANE, CONCRETE, METAL ROOF, ETC)

REVISIONS

Rev	Date	By	Rep	Remarks
1	25/05/2016	RP	WL	Released

FIXFAST USA

Maximum safety. Minimum fuss.

FIXFAST USA
6210S Indianapolis Road
Whitestown IN 46075 USA
Tel:- +1 317 769 7710
Fax:- +1 317 769 5560
Email:- technical@fixfastusa.com
Web:- www.fixfastusa.com

FIXFAST USA CONFIDENTIAL MATERIAL

THIS DRAWING IS THE PROPERTY OF 'FIXFAST USA' AND SHALL NOT BE COPIED OR DISCLOSED TO A THIRD PARTY IN WHOLE OR PART WITHOUT THE CONSENT IN WRITING OF 'FIXFAST USA'.

Description			
Standard Access Ladder With Grabrails			
Material			
Product Code	FAB No.	Drawing No.	Rev
RL31 SERIES		7080	