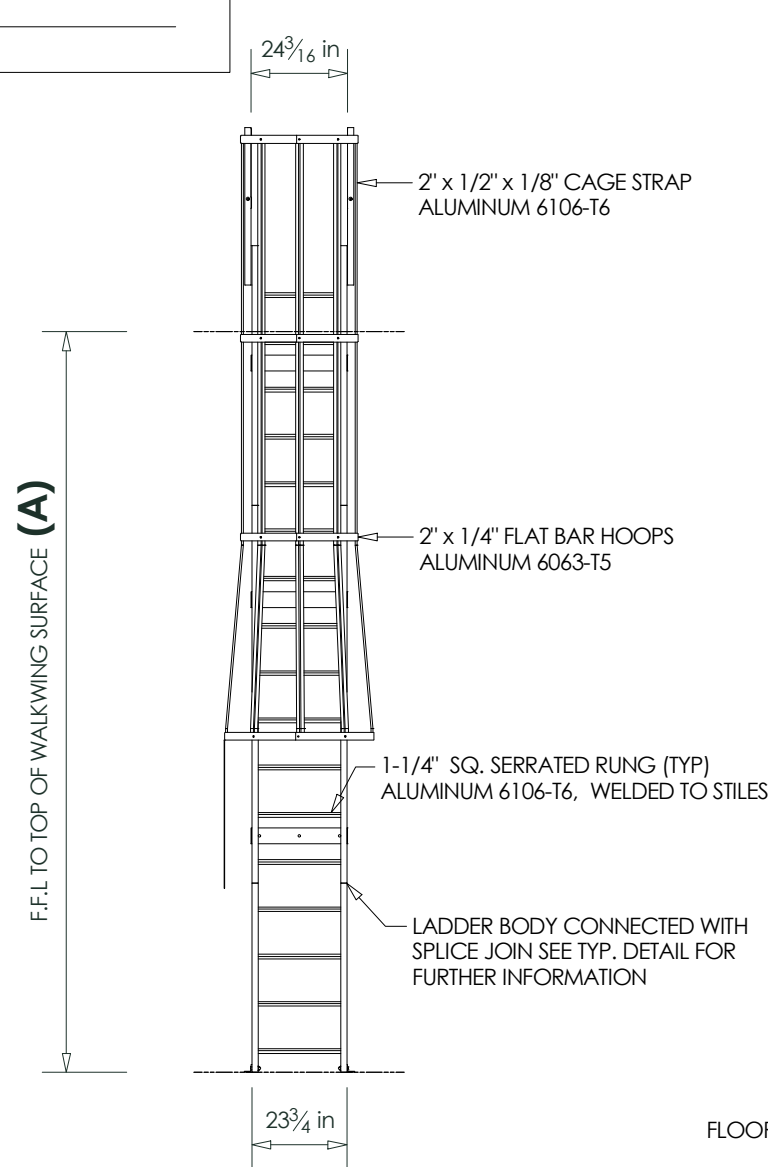
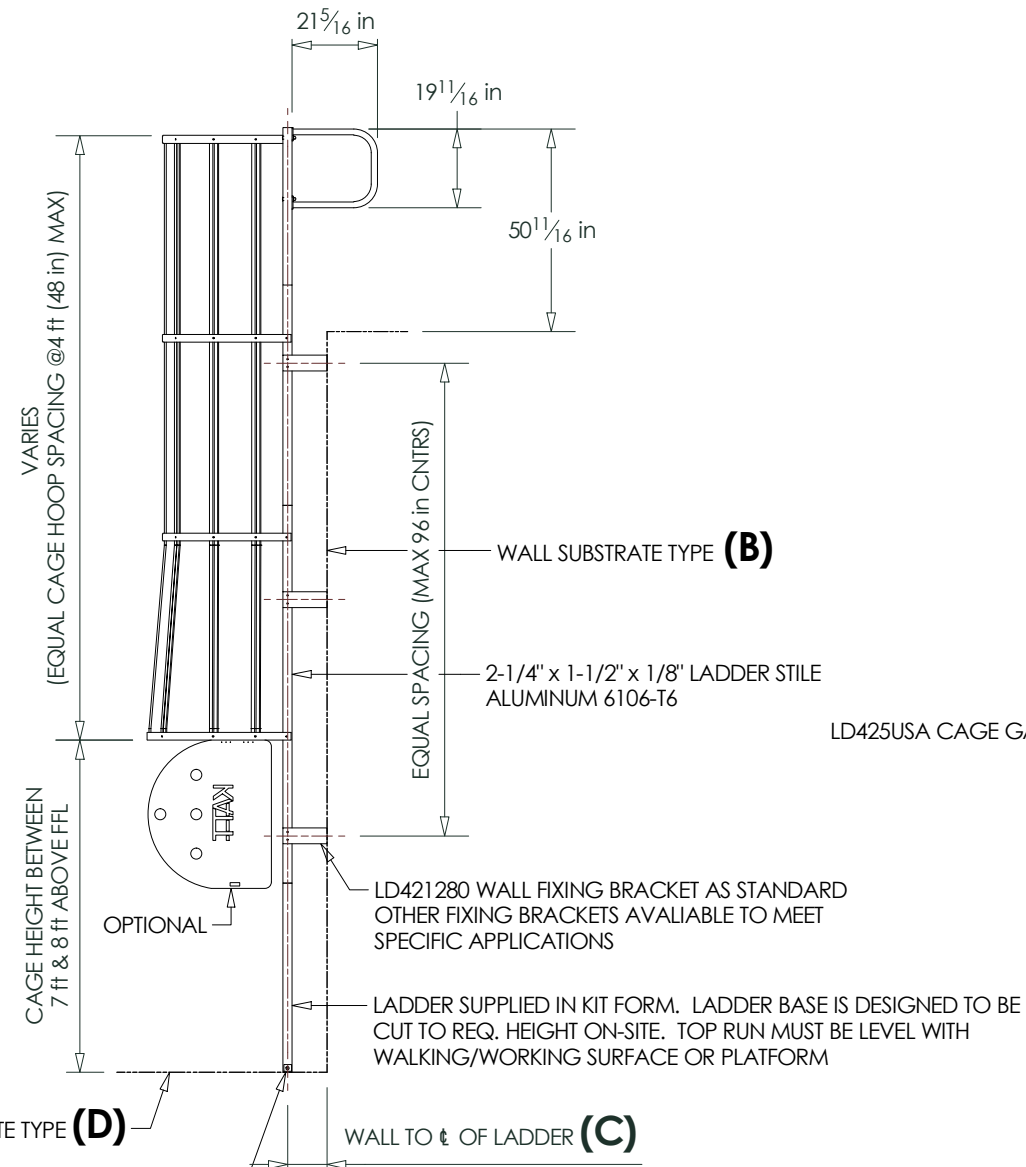


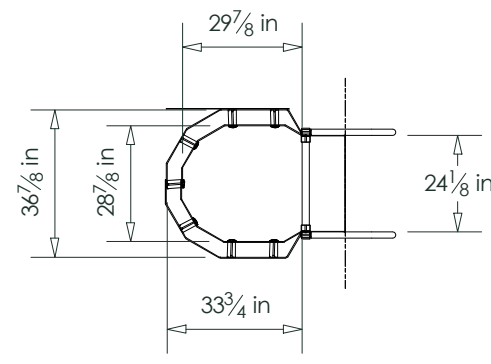
PROJECT REF: _____
 CONTRACTOR: _____
 APPROVED BY: _____
 SIGN HERE: _____



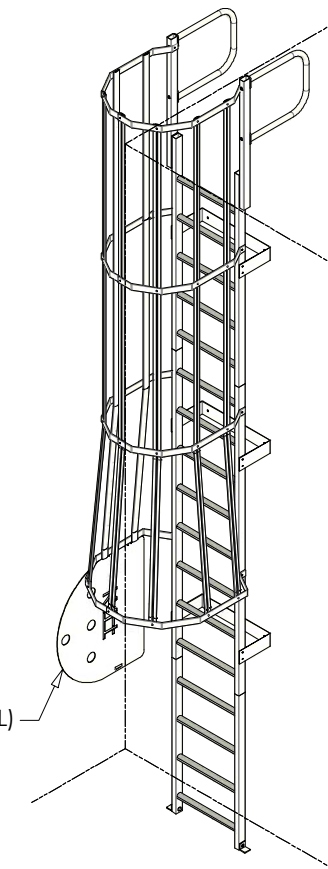
FRONT ELEVATION (1 / 48)



FLOOR SUBSTRATE TYPE (D) WALL TO $\frac{t}{2}$ OF LADDER (C)
 LD419S FLOOR MOUNT BRACKET SHOWN VARIOUS MOUNTING OPTIONS AVAILABLE



AUX A (1 / 48)



LD425USA CAGE GATE (OPTIONAL)

- A _____
LOWER LEVEL TO UPPER LEVEL WALKING/WORKING HEIGHT
- B _____
WALL SUBSTRATE TYPE (I.E. BRICK, CONCRETE BLOCK, METAL SLIDING, ETC)
- C _____
WALL TO CENTRELINE OF LADDER. OSHA 1910.23(D)(2) STATES THAT THE DISTANCE FROM THE CENTRELINE OF THE RUNGS TO THE NEAREST PERMANENT OBJECT SHALL NOT BE LESS THAN 7". OSHA ALSO REQUIRES A PLATFORM IF THE DISTANCE EXCEEDS 12". PLEASE STATE WIDTH OF ANY GUTTER OR OBJECT (E.G. GUTTER 9" WIDE). FIXFAST WILL ENSURE THAT THE CORRECT BRACKET IS PROVIDED
- D _____
FLOOR SUBSTRATE TYPE (I.E. ROOF MEMBRANE, CONCRETE, METAL, ROOF, ETC.)

AVAILABLE LADDER KITS	
CODE	HEIGHTS UP TO
RL41.94	94" (7' 10")
RL41.141	141" (11' 9")
RL41.189	189" (15' 9")
RL41.234	234" (19' 6")
RL41.283	283" (23' 7")
RL41.330	330" (27' 6")
RL41.376	376" (31' 4")
RL41.423	423 (35' 3")
RL41.470	470 (39' 2")

OTHER KITS AVAILABLE

DRN: RP	DATE: 6/10/2017	SCALE 1 / 48	DIMENSION TOLERANCES UNLESS NOTED OTHERWISE
CHK: WL	DATE: 2/11/2017		
APP: RP	DATE: 2/11/2017		
			X ± 1mm X.X ± 0.25mm X.XX ± 0.1mm ANGLE ± 1°

FIXFASTUSA
 6210S INDIANAPOLIS ROAD
 WHITESTOWN IN 46075 USA
 T +1 317 769 7710
 F +1 317 769 5560
 E sales@fixfastusa.com
 W www.fixfastusa.com

Maximum safety. Minimum fuss.
 THIS DRAWING REMAINS THE PROPERTY OF FIXFAST USA® AND MAY NOT BE CHANGED WITHOUT WRITTEN PERMISSION

DESCRIPTION CAGED VERTICAL LADDER WITH GRABRAILS		SHT # 1 / 1
MATERIAL	FINISH	SIZE B
DWG No. RL41	FAB No.	REV 1

1	2/11/2017	RP	WL	ISSUED FOR RELEASE
REV	DATE	BY	APP	COMMENTS