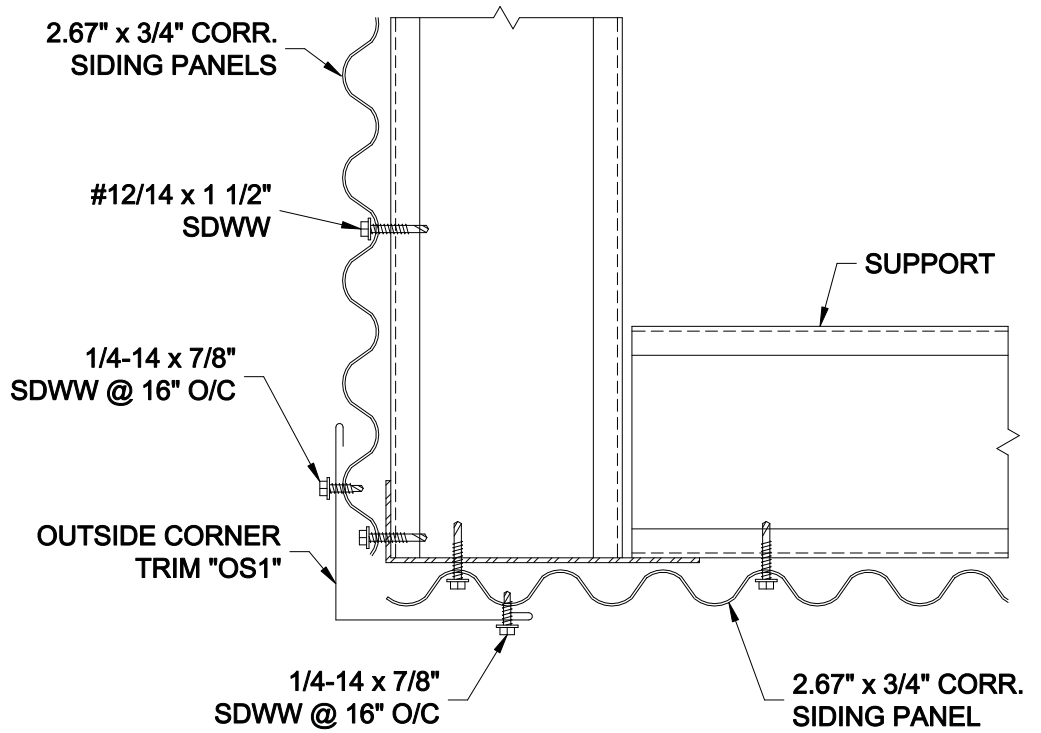
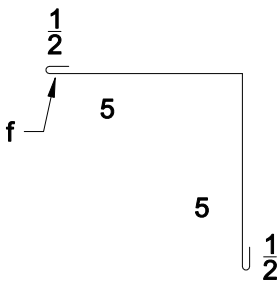


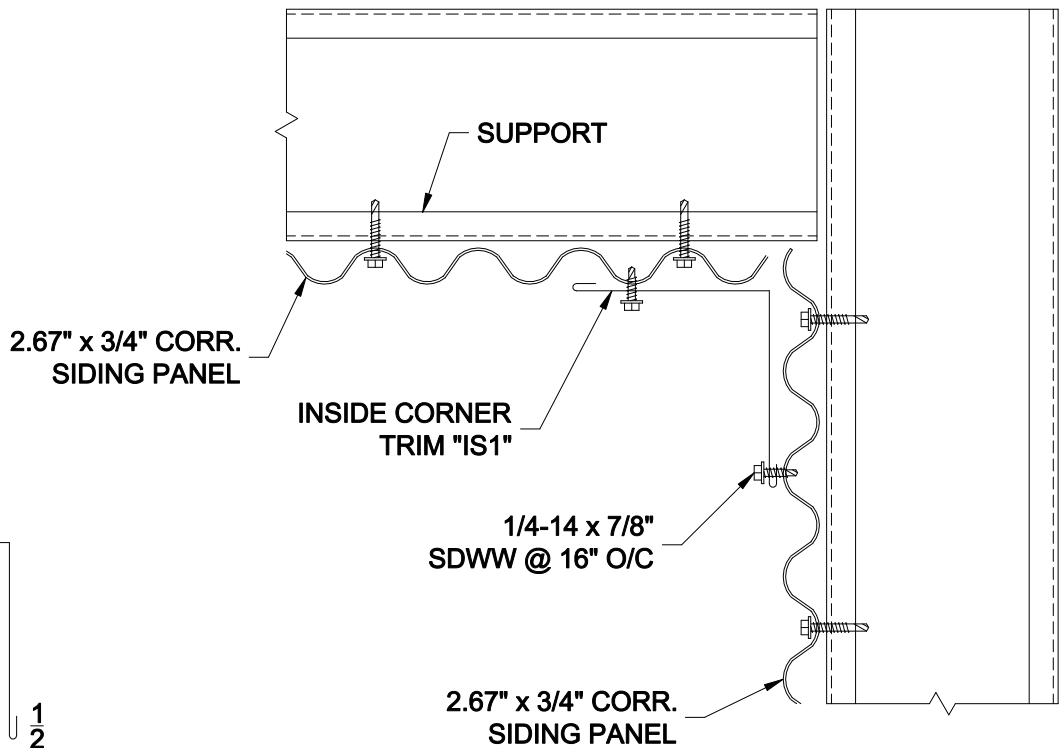
"OS1" OUTSIDE CORNER TRIM



OUTSIDE CORNER DETAIL



"IS1" INSIDE CORNER TRIM



INSIDE CORNER DETAIL



BOX 515 RAILROAD STREET
 SANDY LAKE, PENNSYLVANIA 16145-0515
 PHONE: 800-245-0396 ° FAX: 724-376-3864

2.67" x 3/4" Corrugated
 Standard Details

Outside & Inside Corner
 Details

DRAWN BY: D. UREY

DATE: 9-8-05

DRAWING NO.

REVISED BY:

DATE:

2.67" x 3/4" - 11