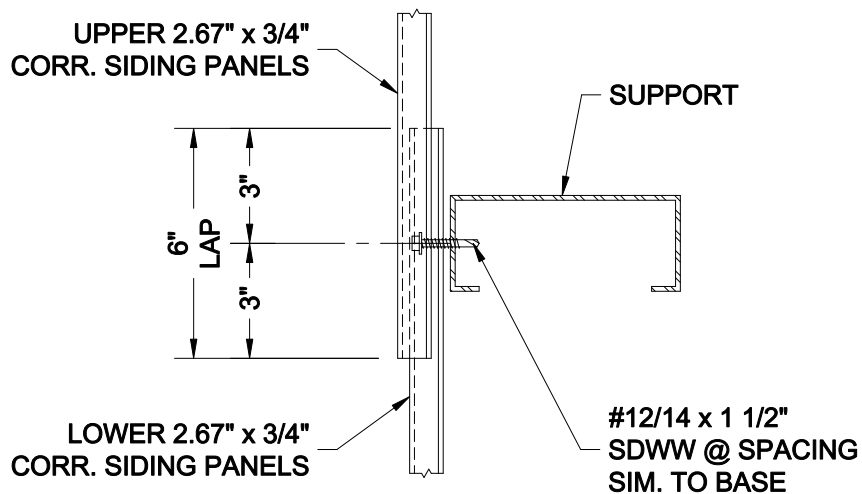


## ROOF PANEL END LAP DETAIL



## SIDING PANEL END LAP DETAIL

### NOTES:

1. 3/32" x 1/2" SEALER TAPE "ST1" TO BE USED @ END LAPS OF ALL ROOF PANELS REGARDLESS OF ROOF PITCH.
2. ROOF PANEL END LAPS SHOULD BE STAGGERED WHEN POSSIBLE.



BOX 515 RAILROAD STREET  
SANDY LAKE, PENNSYLVANIA 16145-0515  
PHONE: 800-245-0396 ° FAX: 724-376-3864

2.67" x 3/4" Corrugated  
Standard Details

DRAWN BY: D. UREY

DATE: 9-8-05

REVISED BY:

DATE:

Roof & Siding End Lap  
Details

DRAWING NO.

2.67" x 3/4" - 12