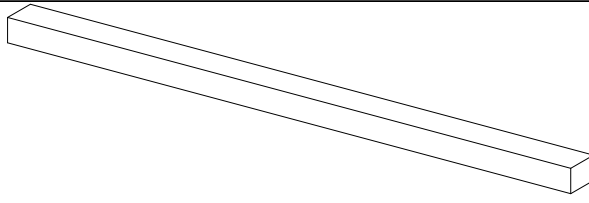
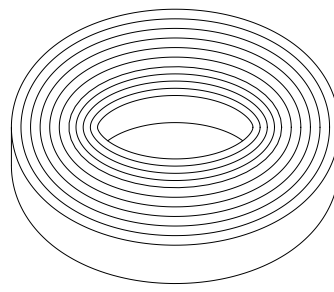
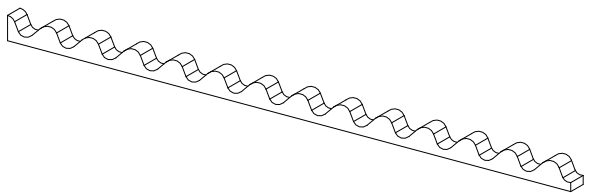
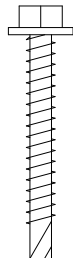

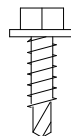


2.67" x 3/4" CORR. STANDARD ACCESSORIES

 <p style="text-align: center;">REQ'D: _____ LIN. FT. (25' ROLLS)</p>	
1" x 1" UNIVERSAL CLOSURE	
 <p style="text-align: center;">REQ'D: _____ PCS. @ 3'-0" LG.</p>	<p style="text-align: center;">REQ'D: _____ ROLLS @ 50'-0" LG.</p>
2.67" x 3/4" CORR. CLOSURES	3/32" x 1/2" SEALER TAPE "ST1"
<p style="text-align: center;">ROOF SHEETING SCREWS</p>  <p style="text-align: center;">#12/14 x 2" SDWW REQ'D: _____ PCS.</p>	<p style="text-align: center;">SIDING SHEETING SCREWS</p>  <p style="text-align: center;">#12/14 x 1 1/2" SDWW REQ'D: _____ PCS.</p>
	<p style="text-align: center;">LAP & TRIM SCREWS</p>  <p style="text-align: center;">1/4-14 x 7/8" SDWW REQ'D: _____ PCS.</p>
STANDARD FASTENERS	STANDARD FASTENERS

NOTES:

1. 2.67" x 3/4" CORRUGATED CLOSURES ARE A CLOSED CELL POLYETHYLENE FACTORY FORMED TO THE PANEL PROFILE AS SHOWN ABOVE.
2. SEALER TAPE IS A NON-DRYING, NON-SKINNING, BUTYL BASE TAPE SUPPLIED IN 3/32" THICK x 1/2" WIDE x 50' ROLLS.
3. FASTENERS ARE ZINC PLATED CARBON STEEL, 5/16" HEX HEAD, SELF DRILLING & SELF TAPPING METAL SCREWS. FASTENERS CAN BE SUPPLIED WITH PAINTED HEADS TO MATCH ROOFING OR SIDING.
4. CONTACT FACTORY FOR PRICE AND AVAILABILITY OF NON-STANDARD ACCESSORIES.



BOX 515 RAILROAD STREET
SANDY LAKE, PENNSYLVANIA 16145-0515
PHONE: 800-245-0396 ° FAX: 724-376-3864

2.67" x 3/4" Corrugated
Standard Details

2.67" x 3/4" Corrugated
Standard Accessories

DRAWN BY: D. UREY

DATE: 9-8-05

DRAWING NO.

CHECKED BY:

DATE:

2.67" x 3/4" - 17