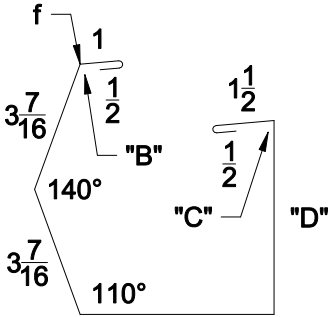
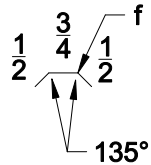


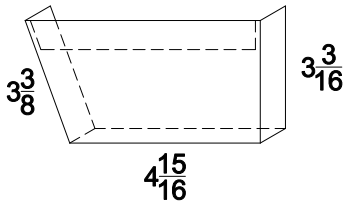
"LE2" EAVE TRIM



"GU1" GUTTER

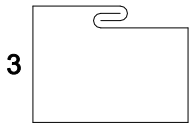


"GB1" GUTTER BARS



"GU1EC(R&L)" END CAPS

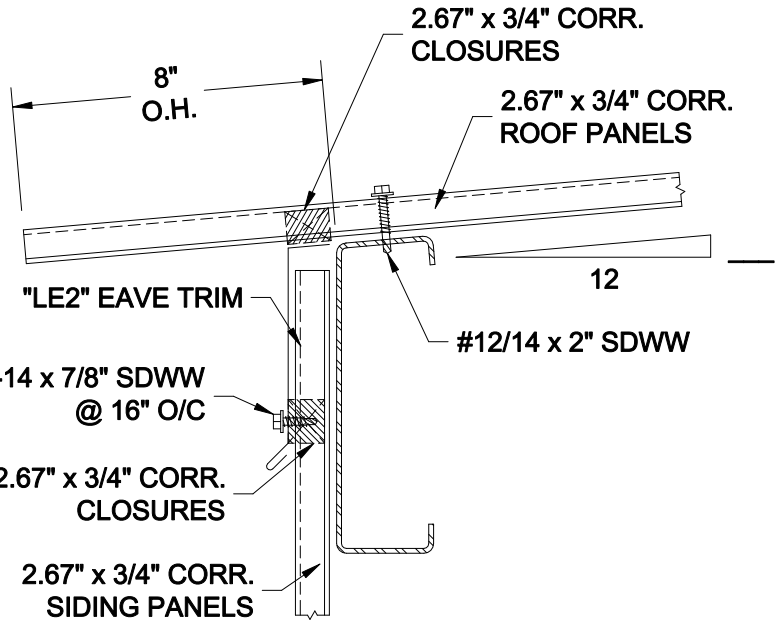
"GU1ECR" ~ AS SHOWN
 "GU1ECL" ~ OPP. HAND



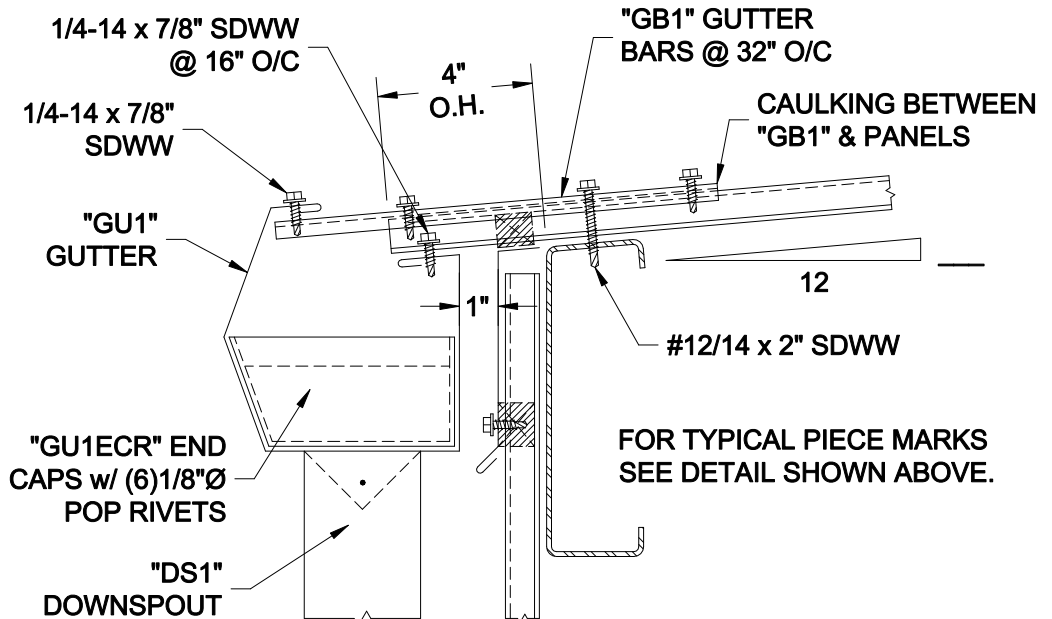
4

"DS1" DOWNSPOUTS

PITCH	"A" DIM.	"B" DIM.	"C" DIM.	"D" DIM.
1:12	95°	115°	85°	5 15/16
2:12	100°	120°	80°	6 3/8
3:12	104°	124°	76°	6 3/4
4:12	109°	129°	71°	7 1/8
5:12	113°	133°	67°	7 1/2



EAVE w/ TRIM



EAVE w/ TRIM & GUTTER

NOTES:

1. GUTTER TO BE CAULKED & LAPPED 4" MIN. AND POP RIVETED TOGETHER USING (8) 1/8"Ø POP RIVETS.
2. FIELD LOCATE AND MARK DOWNSPOUT LOCATION IN BOTTOM OF GUTTER. DRAW LINE FROM CORNER TO CORNER AND CUT ALONG LINE. BEND TABS DOWN AND POP RIVET INSIDE DOWNSPOUT.
3. USE THE CHART TO THE LEFT FOR DIMENSION VALUES FOR YOUR PARTICULAR ROOF PITCH.
4. GUTTER SIZE AND GUTTER BAR SPACING MUST BE ADJUSTED TO SUIT LOCAL WEATHER PECULIARITIES AND/OR TO ACCOMMODATE LONG ROOF SLOPES.



BOX 515 RAILROAD STREET
 SANDY LAKE, PENNSYLVANIA 16145-0515
 PHONE: 800-245-0396 ° FAX: 724-376-3864

2.67" x 3/4" Corrugated
 Standard Details

Eave Details

DRAWN BY: D.UREY

DATE: 9-8-05

DRAWING NO.

REVISED BY:

DATE:

2.67" x 3/4" - 5