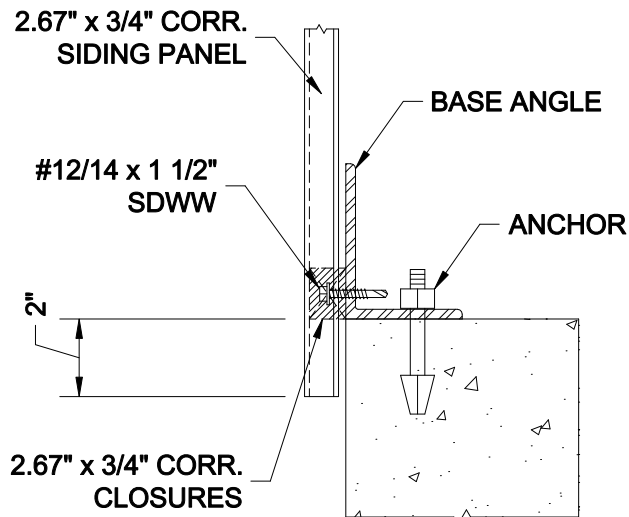
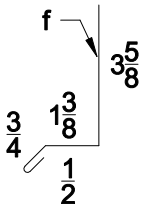


### CURB w/ TRIM



### CURB w/ CLOSURE



"BD3" BASE TRIM



BOX 515 RAILROAD STREET  
 SANDY LAKE, PENNSYLVANIA 16145-0515  
 PHONE: 800-245-0396 ° FAX: 724-376-3864

2.67" x 3/4" Corrugated  
 Standard Details

Base Details

DRAWN BY: D.UREY

DATE: 9-8-05

DRAWING NO.

REVISED BY:

DATE:

2.67" x 3/4" - 9