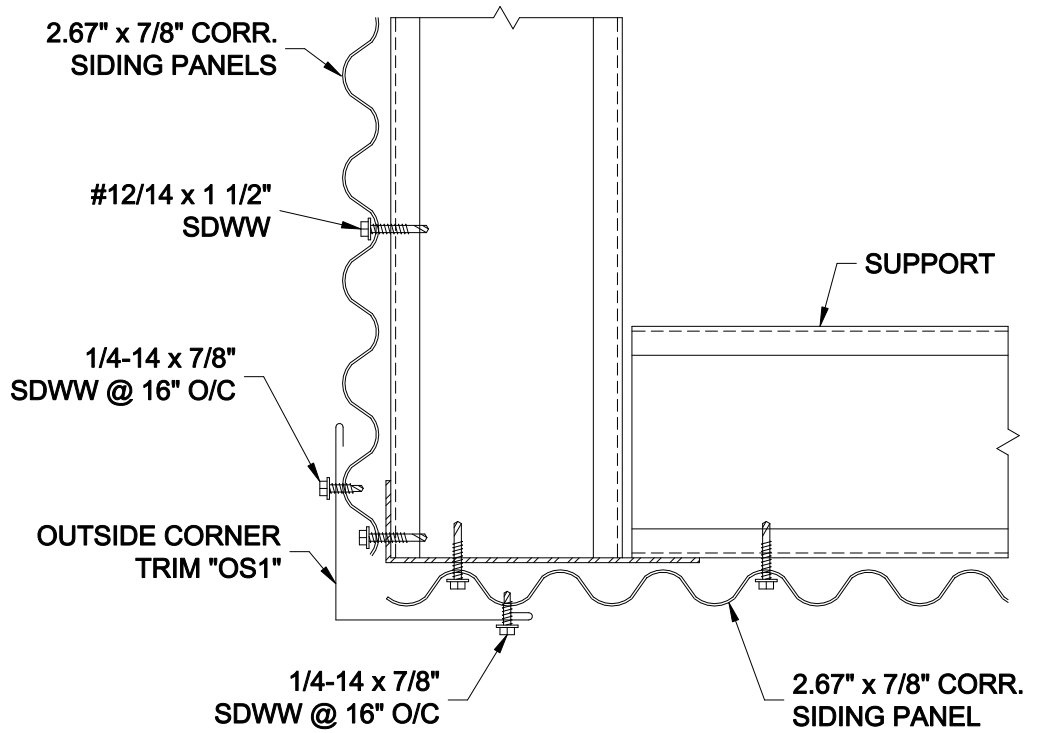
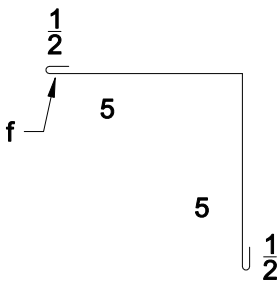


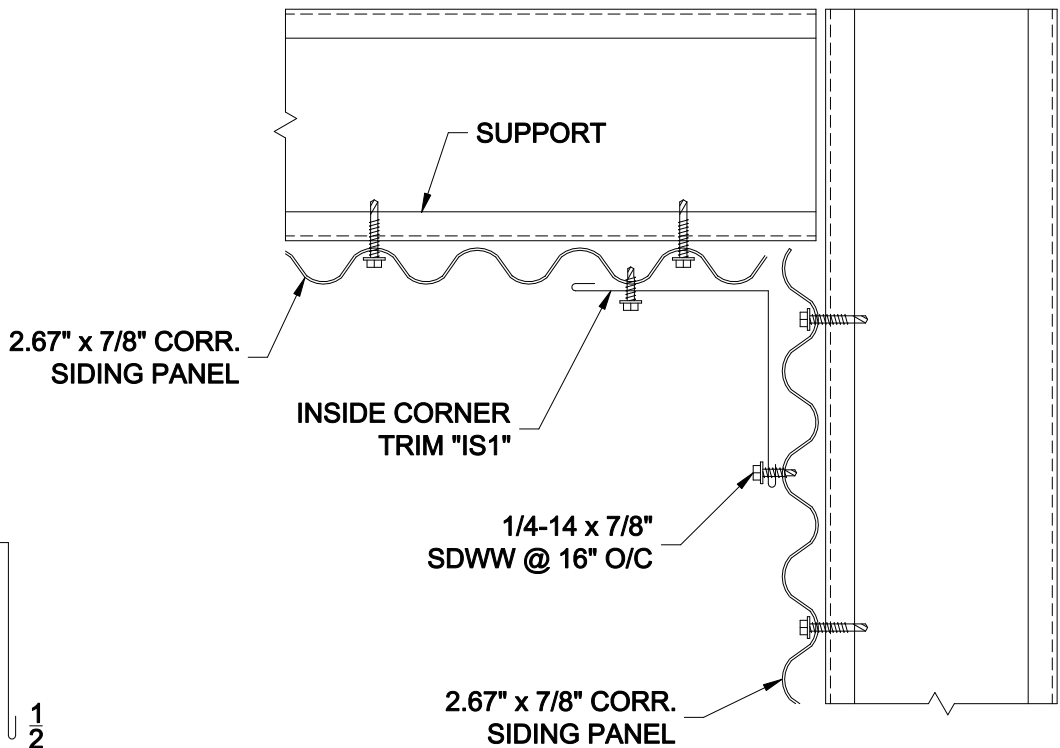
**"OS1" OUTSIDE CORNER TRIM**



**OUTSIDE CORNER DETAIL**



**"IS1" INSIDE CORNER TRIM**



**INSIDE CORNER DETAIL**



BOX 515 RAILROAD STREET  
 SANDY LAKE, PENNSYLVANIA 16145-0515  
 PHONE: 800-245-0396 ° FAX: 724-376-3864

2.67" x 7/8" Corrugated  
 Standard Details

Outside & Inside Corner  
 Details

DRAWN BY: RW  
 REVISED BY: CANON  
 K. Kemmer

DATE: 2/21/00  
 DATE: 5-30-00

DRAWING NO. 67 x 7/8 - 1