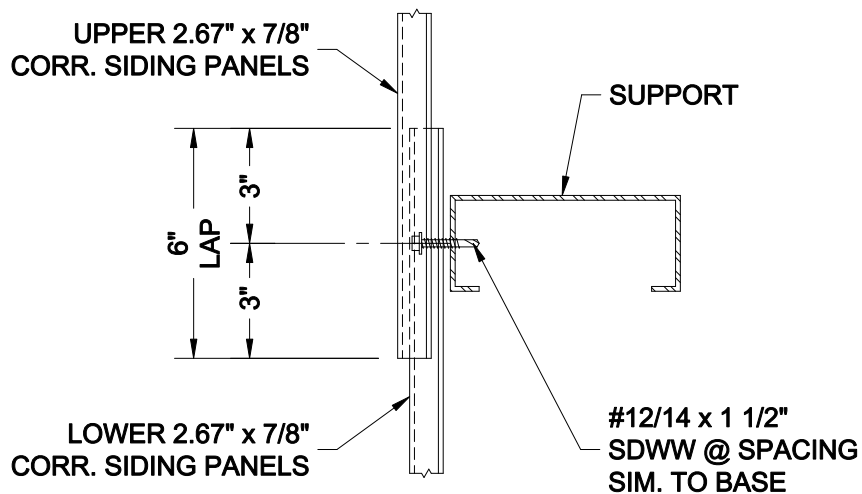


ROOF PANEL END LAP DETAIL



SIDING PANEL END LAP DETAIL

NOTES:

1. 3/32" x 1/2" SEALER TAPE "ST1" TO BE USED @ END LAPS OF ALL ROOF PANELS REGARDLESS OF ROOF PITCH.
2. ROOF PANEL END LAPS SHOULD BE STAGGERED WHEN POSSIBLE.



BOX 515 RAILROAD STREET
 SANDY LAKE, PENNSYLVANIA 16145-0515
 PHONE: 800-245-0396 ° FAX: 724-376-3864

2.67" x 7/8" Corrugated
 Standard Details

DRAWN BY: RW
 REVISED BY: CANON
 K. Kemmer

DATE: 2/21/00
 DATE: 5-30-20

Roof & Siding End Lap
 Details

DRAWING NO.
 2.67" x 7/8" - 12