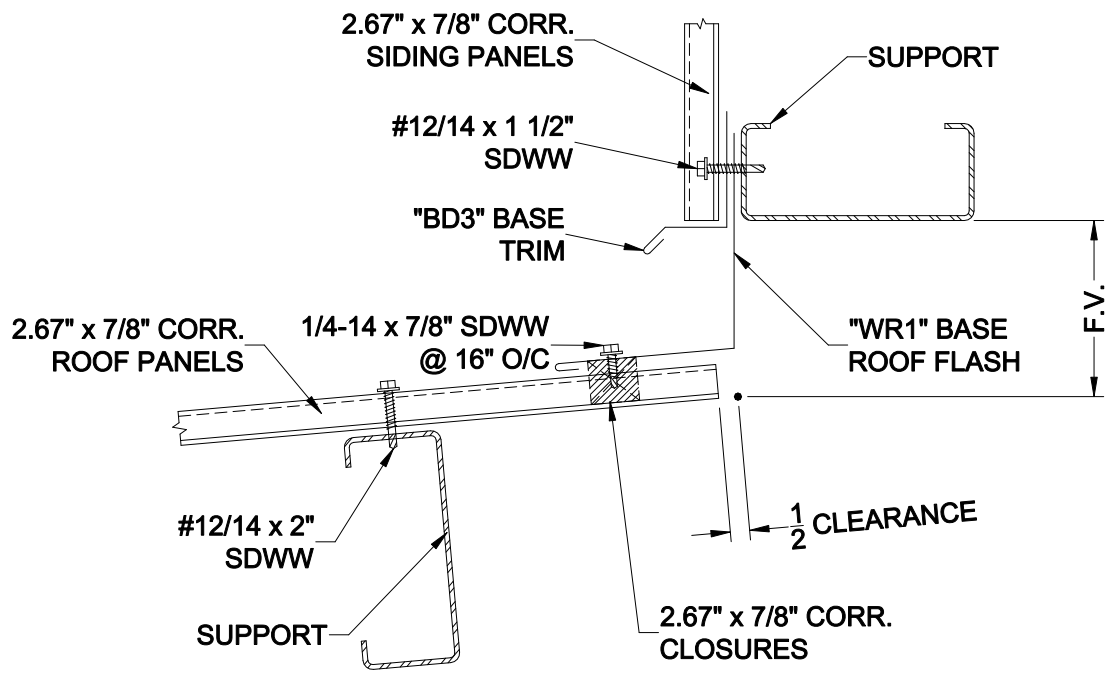
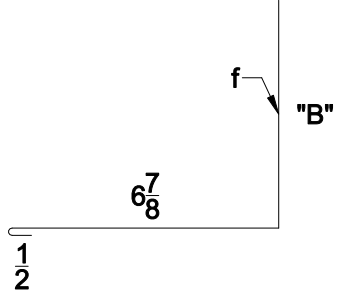


**"WR1" BASE ROOF FLASH**

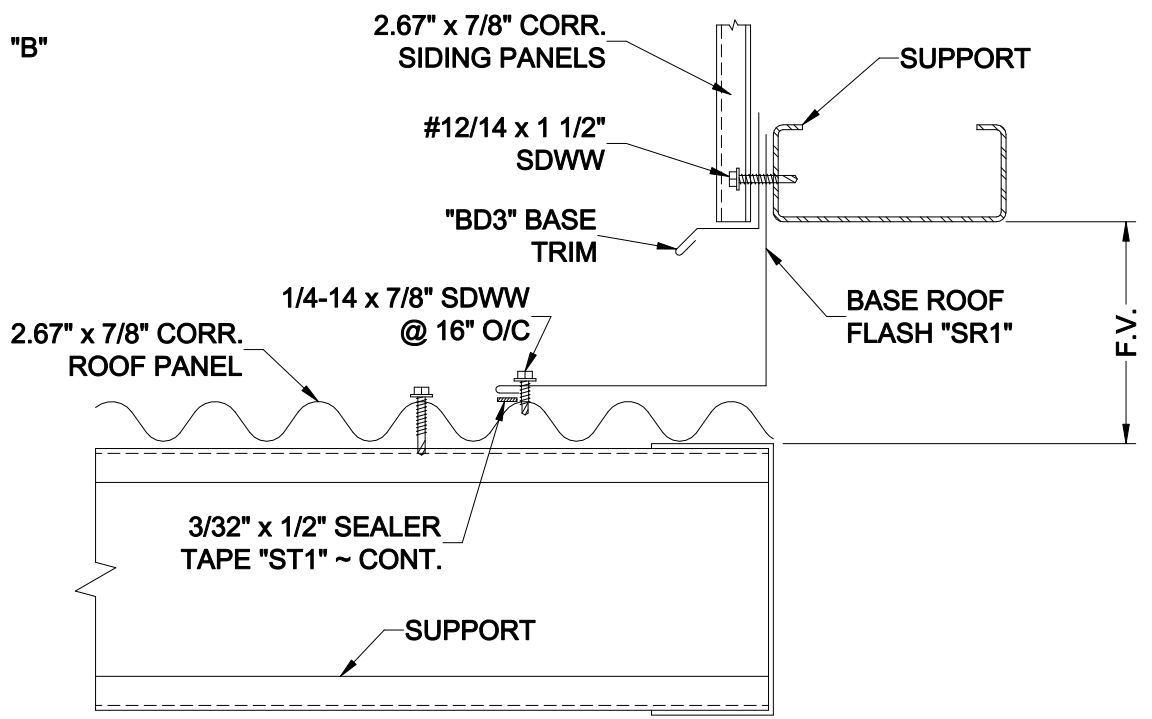
PITCH	"A" ANGLE
1:12	95°
2:12	99°
3:12	104°
4:12	108°
5:12	113°



## BASE ROOF(HALF RIDGE) DETAIL



**"SR1" BASE ROOF FLASH**



**"BD3" BASE TRIM**

## BASE ROOF DETAIL

**ERECTOR NOTES:**

1. ENDS OF BASE ROOF FLASH SHOULD BE CAULKED AND LAPPED 4" AWAY FROM PREVAILING WIND. FLASHING SHOULD BE STITCHED TOGETHER AT ENDS USING TWO 1/4-14 x 7/8" SDWW FASTENERS.
2. "A" & "B" DIMENSIONS VARY DUE TO CONSTRUCTION VARIATIONS.

BOX 515 RAILROAD STREET  
SANDY LAKE, PENNSYLVANIA 16145-0515  
PHONE: 800-245-0396 ° FAX: 724-376-3864

2.67" x 7/8" Corrugated Standard Details

Base Roof Details

DRAWN BY: RW  
REVISED BY: CANON K. Kemmer

DATE: 2/21/00  
DATE: 5-30-00

DRAWING NO. 67" x 7/8" - 8