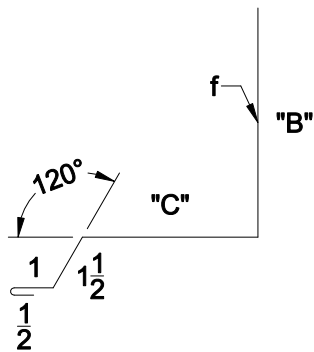
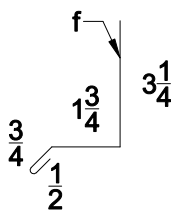


"WR1" BASE ROOF FLASH

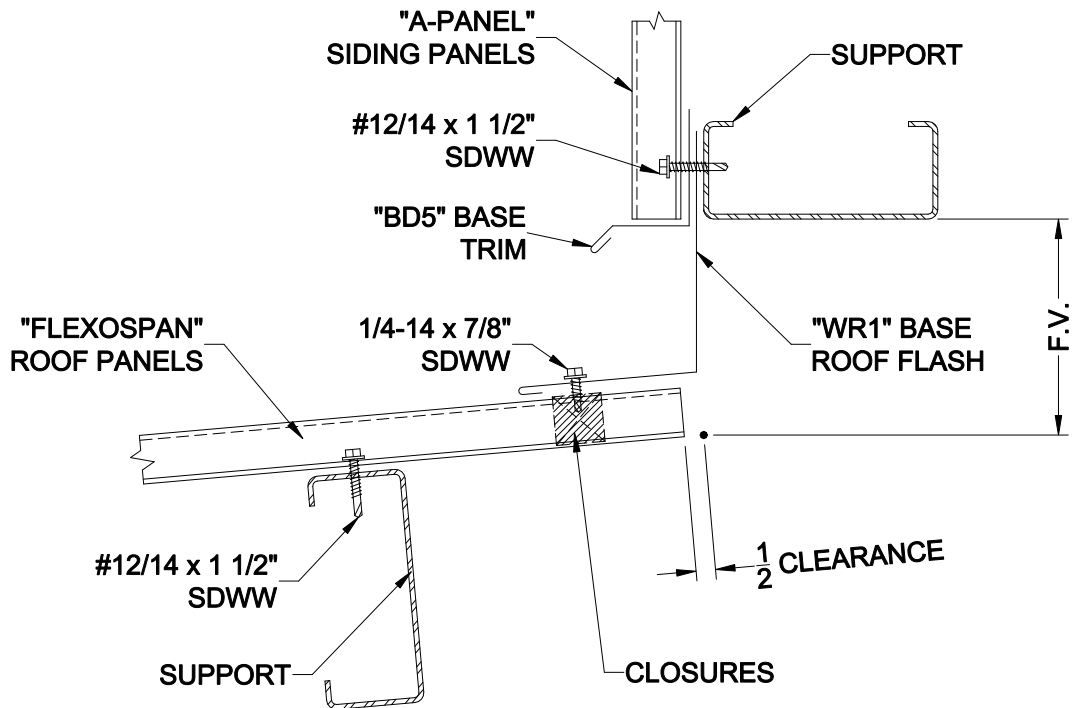
PITCH	"A" ANGLE
1:12	95°
2:12	99°
3:12	104°
4:12	108°
5:12	113°



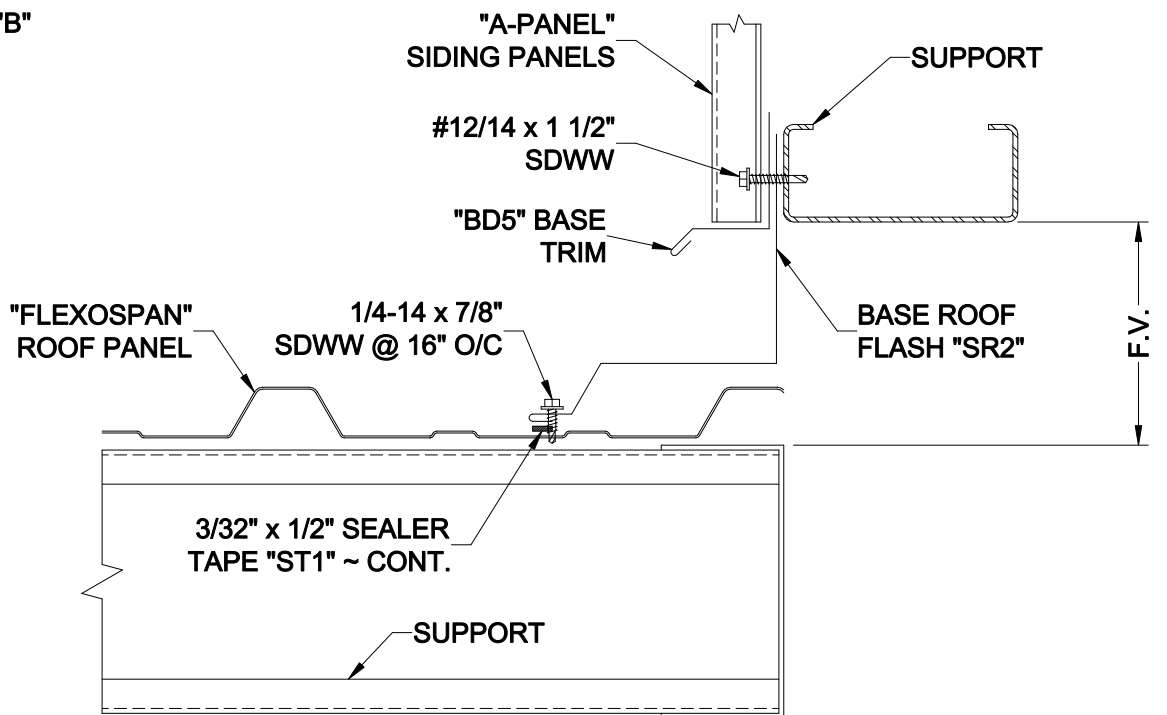
"SR2" BASE ROOF FLASH



"BD5" BASE TRIM



BASE ROOF (HALF RIDGE) DETAIL



BASE ROOF DETAIL

ERECTOR NOTES:

1. ENDS OF BASE ROOF FLASH SHOULD BE CAULKED AND LAPPED 4" AWAY FROM PREVAILING WIND. FLASHING SHOULD BE STITCHED TOGETHER AT ENDS USING TWO 1/4-14 x 7/8" SDWW FASTENERS.
2. "A", "B", & "C" DIMENSIONS VARY DUE TO CONSTRUCTION VARIATIONS.

**BOX 515 RAILROAD STREET
SANDY LAKE, PENNSYLVANIA 16145-0515
PHONE: 800-245-0396 ° FAX: 724-376-3864**

"A-Panel" Standard Details		Base Roof Details
DRAWN BY: D.UREY	DATE: 10-24-02	DRAWING NO.
REVISED BY:	DATE:	A-Panel-6