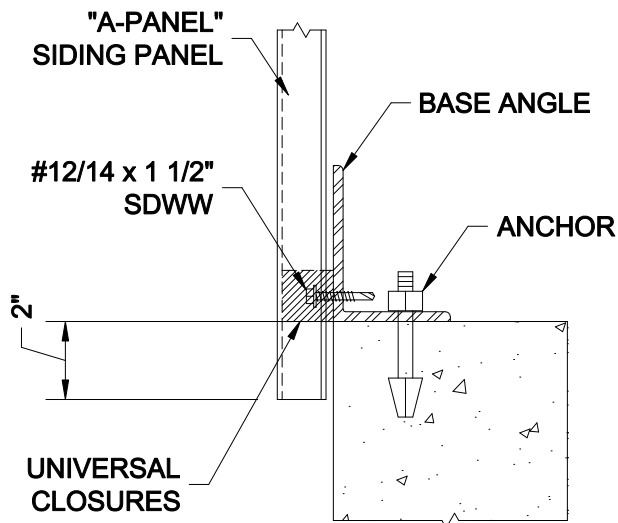
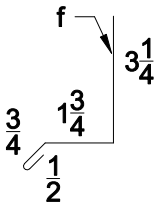


## CURB w/ TRIM



## CURB w/ CLOSURE



"BD5" BASE TRIM



BOX 515 RAILROAD STREET  
SANDY LAKE, PENNSYLVANIA 16145-0515  
PHONE: 800-245-0396 ° FAX: 724-376-3864

"Vertarib" Standard  
Details

DRAWN BY: D. UREY

DATE: 10-24-02

REVISED BY:

DATE:

Base Details

DRAWING NO.

A-Panel-7