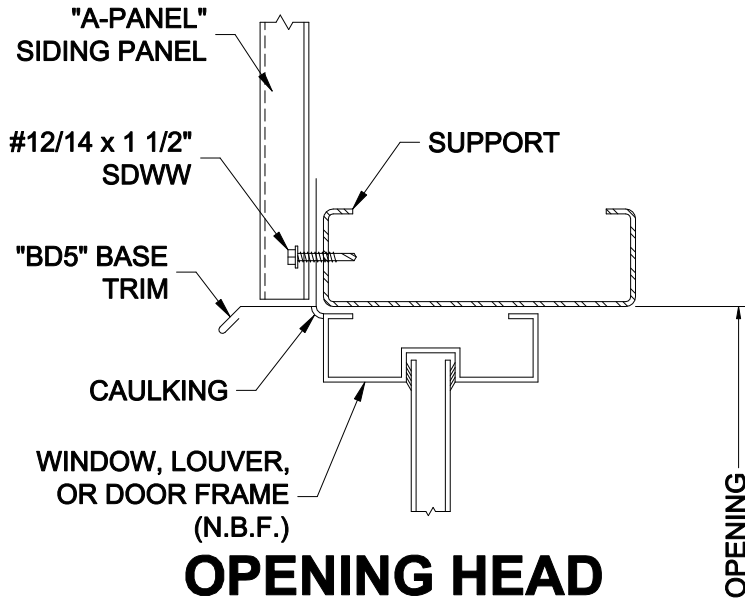
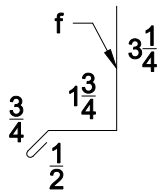
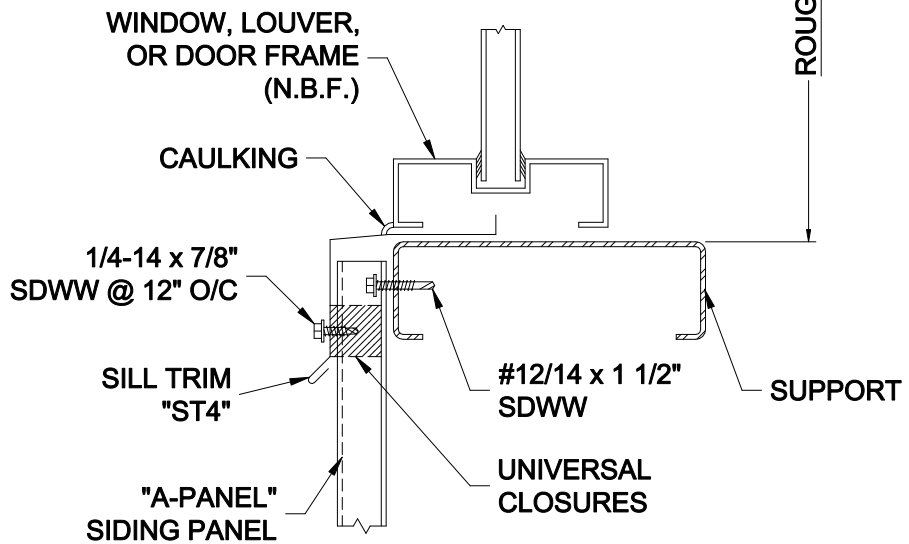


"BD5" BASE TRIM

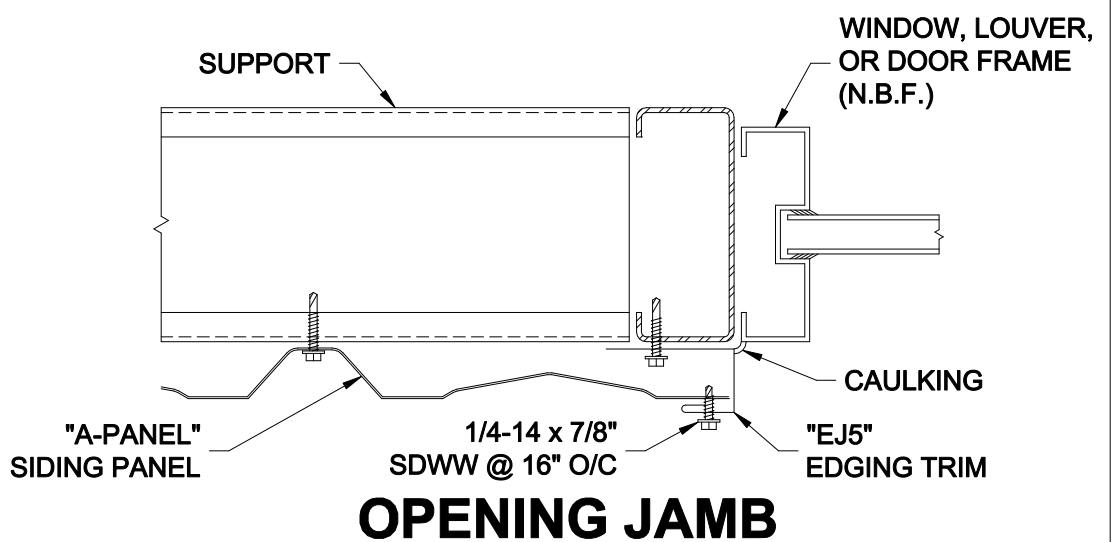
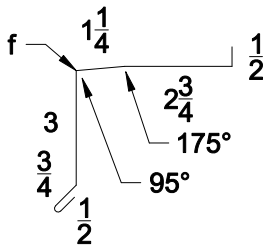


OPENING HEAD



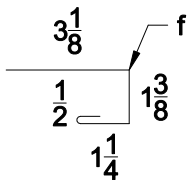
OPENING SILL

"ST4" SILL TRIM



OPENING JAMB

"EJ5" EDGING TRIM



BOX 515 RAILROAD STREET
SANDY LAKE, PENNSYLVANIA 16145-0515
PHONE: 800-245-0396 ° FAX: 724-376-3864

"A-Panel" Standard
Details

Opening Head, Sill, &
Jamb Details

DRAWN BY: D. UREY

DATE: 10-24-02

DRAWING NO.

REVISED BY:

DATE:

A-Panel-8