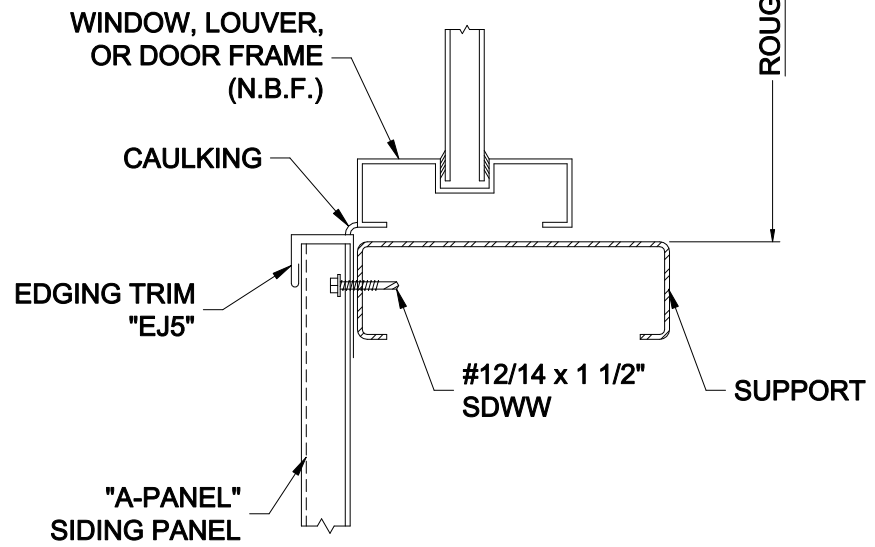
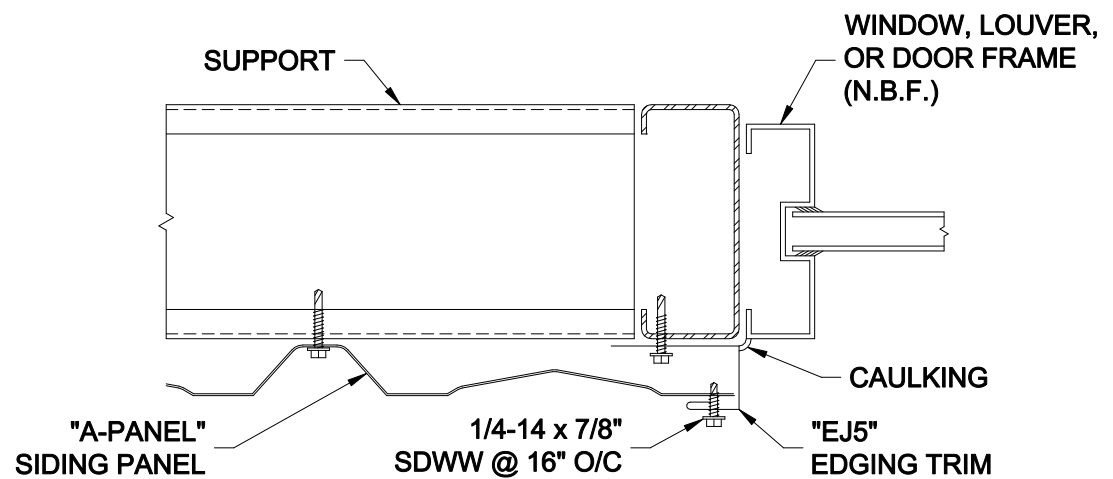
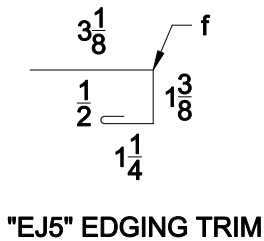


**OPENING HEAD**



**OPENING SILL**



**OPENING JAMB**



BOX 515 RAILROAD STREET  
 SANDY LAKE, PENNSYLVANIA 16145-0515  
 PHONE: 800-245-0396 ° FAX: 724-376-3864

"A-Panel" Standard Details

Opening Head, Sill, & Jamb Details

DRAWN BY: D. UREY  
 REVISED BY:

DATE: 8-22-05  
 DATE:

DRAWING NO. A-Panel-8B