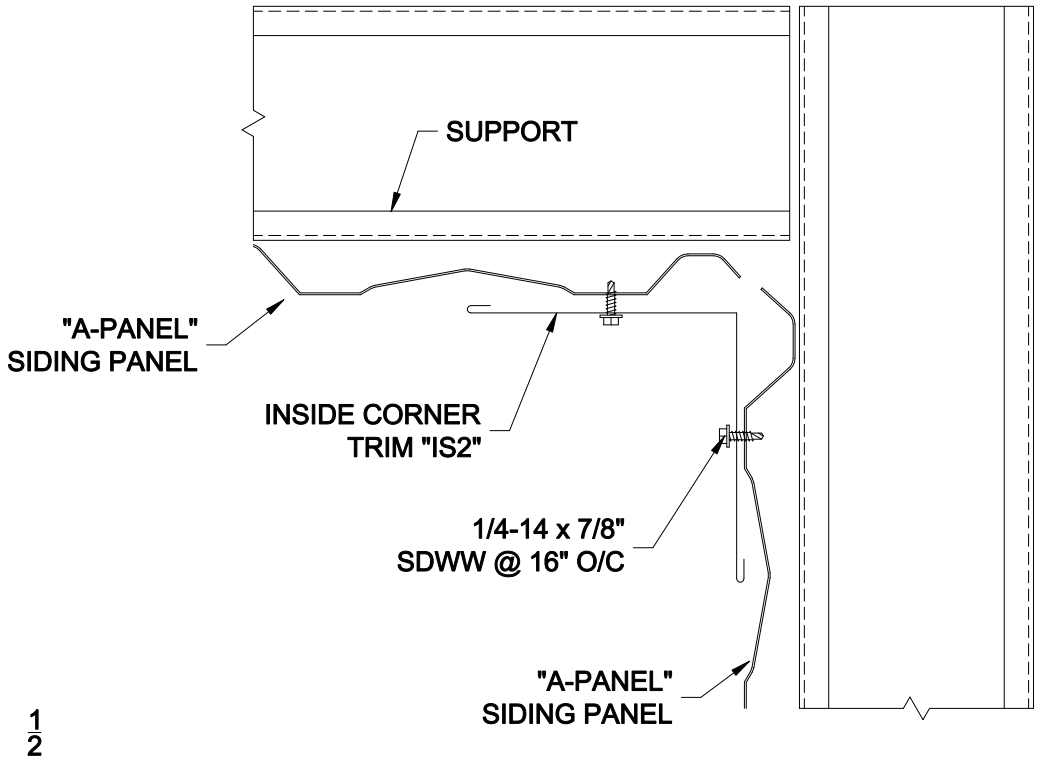


"OS2" OUTSIDE CORNER TRIM

OUTSIDE CORNER DETAIL



"IS2" INSIDE CORNER TRIM

INSIDE CORNER DETAIL

FLEXOSPAN
 BOX 515 RAILROAD STREET
 SANDY LAKE, PENNSYLVANIA 16145-0515
 PHONE: 800-245-0396 ° FAX: 724-376-3864

"A-Panel" Standard Details		Outside & Inside Corner Details
DRAWN BY: D.UREY	DATE: 10-24-02	DRAWING NO.
REVISED BY:	DATE:	A-Panel-9