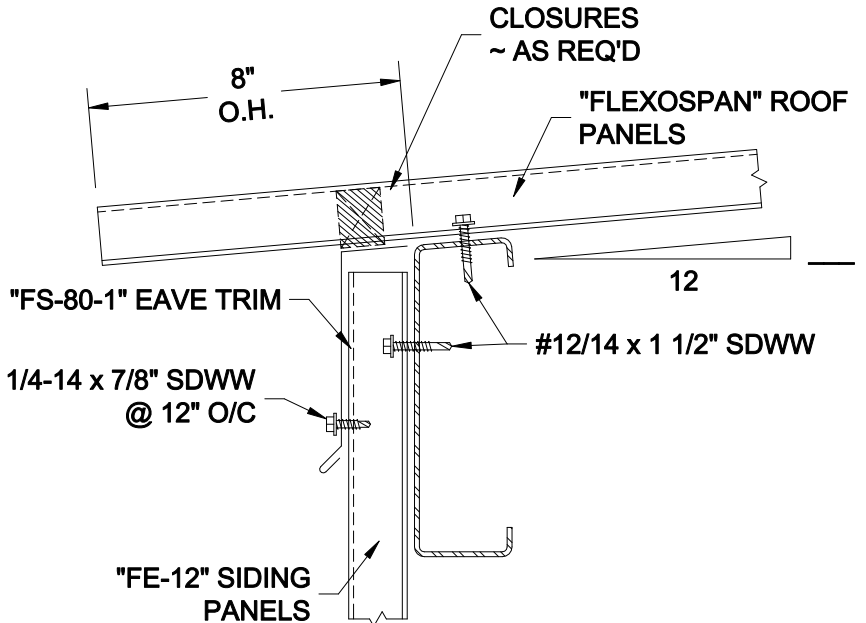
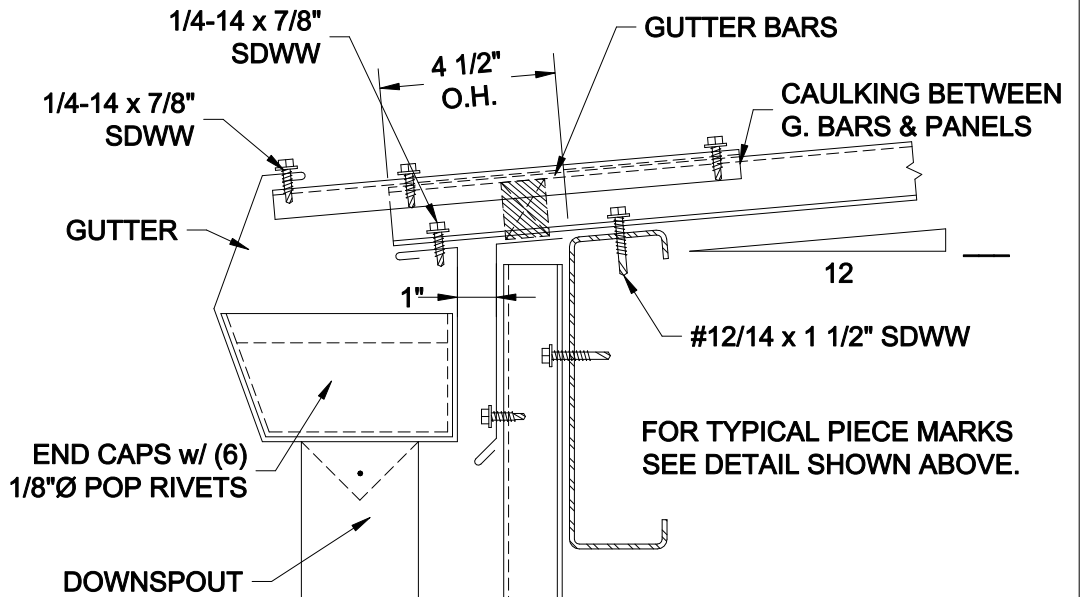


"FS-80-1" EAVE TRIM



EAVE w/ TRIM



FOR TYPICAL PIECE MARKS
SEE DETAIL SHOWN ABOVE.

EAVE w/ TRIM & GUTTER

NOTES:

1. GUTTER AND RELATED ACCESSORIES ARE NOT A STANDARD PART OF THE "FE-66" SIDING PANEL SYSTEM, BUT CAN BE MANUFACTURED AND SUPPLIED TO THE CUSTOMERS SPECIFICATION.
2. USE THE CHART TO THE LEFT FOR DIMENSION VALUES FOR YOUR PARTICULAR ROOF PITCH.

PITCH	"A" DIM.
1:12	95°
2:12	100°
3:12	104°
4:12	109°
5:12	113°



BOX 515 RAILROAD STREET
SANDY LAKE, PENNSYLVANIA 16145-0515
PHONE: 800-245-0396 ° FAX: 724-376-3864

"Fe-12" Concealed Fastener
Panel
Standard Details
DRAWN BY: rw DATE: 3/2/00
CHECKED BY: CANON DATE:

Eave Details
DRAWING NO.
FE12-4