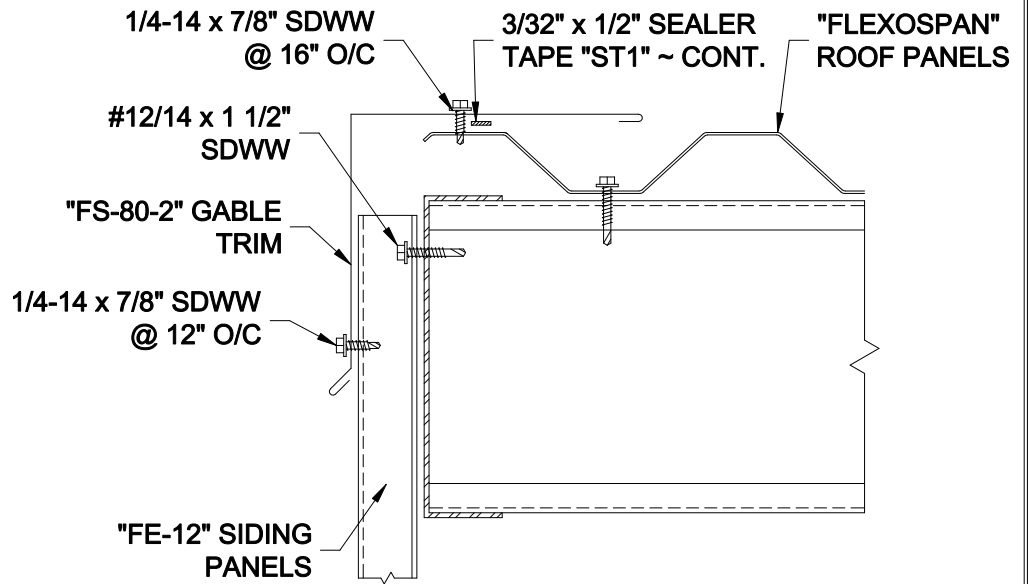


"FS-80-2" GABLE TRIM



GABLE DETAIL



BOX 515 RAILROAD STREET
 SANDY LAKE, PENNSYLVANIA 16145-0515
 PHONE: 800-245-0396 ° FAX: 724-376-3864

"Fe-12" Concealed Fastener
 Panel

Standard Details

DRAWN BY: *rw*

DATE: *3/2/00*

CHECKED BY: *CANON*

DATE:

Gable Details

DRAWING NO.

FE12-5