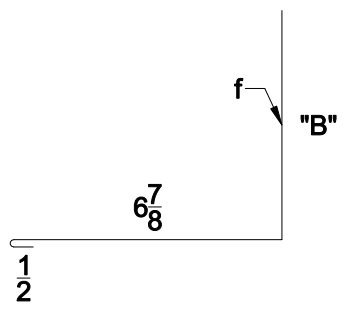
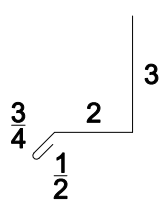


"FS-80-3" BASE ROOF FLASH

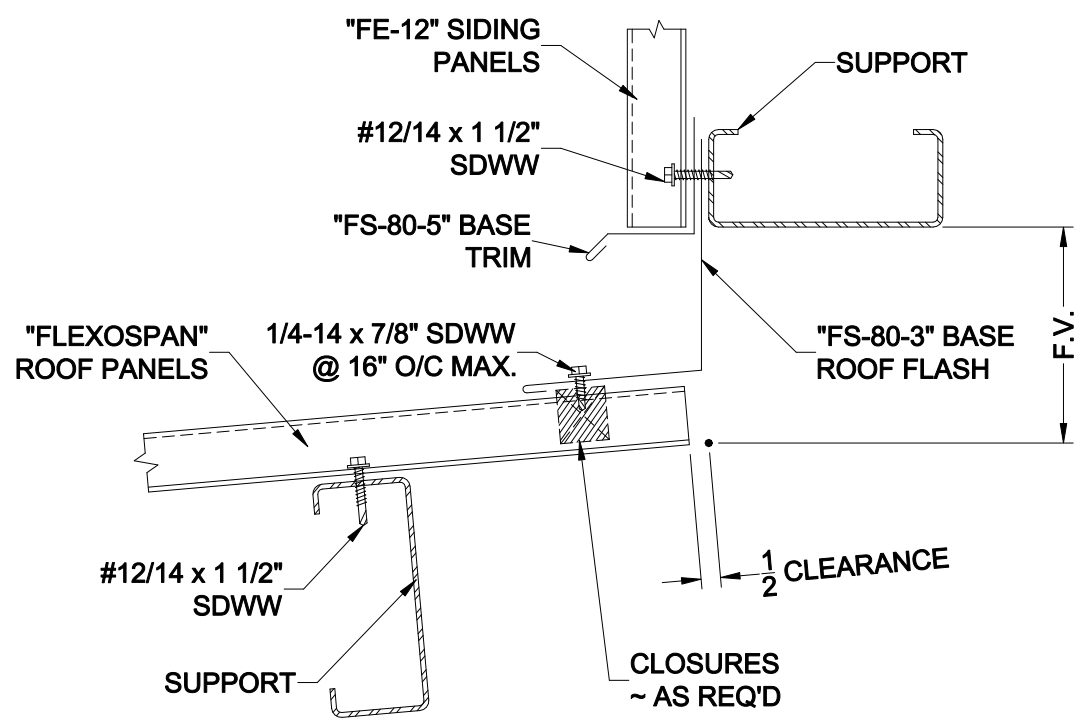
PITCH	"A" ANGLE
1:12	95°
2:12	99°
3:12	104°
4:12	108°
5:12	113°



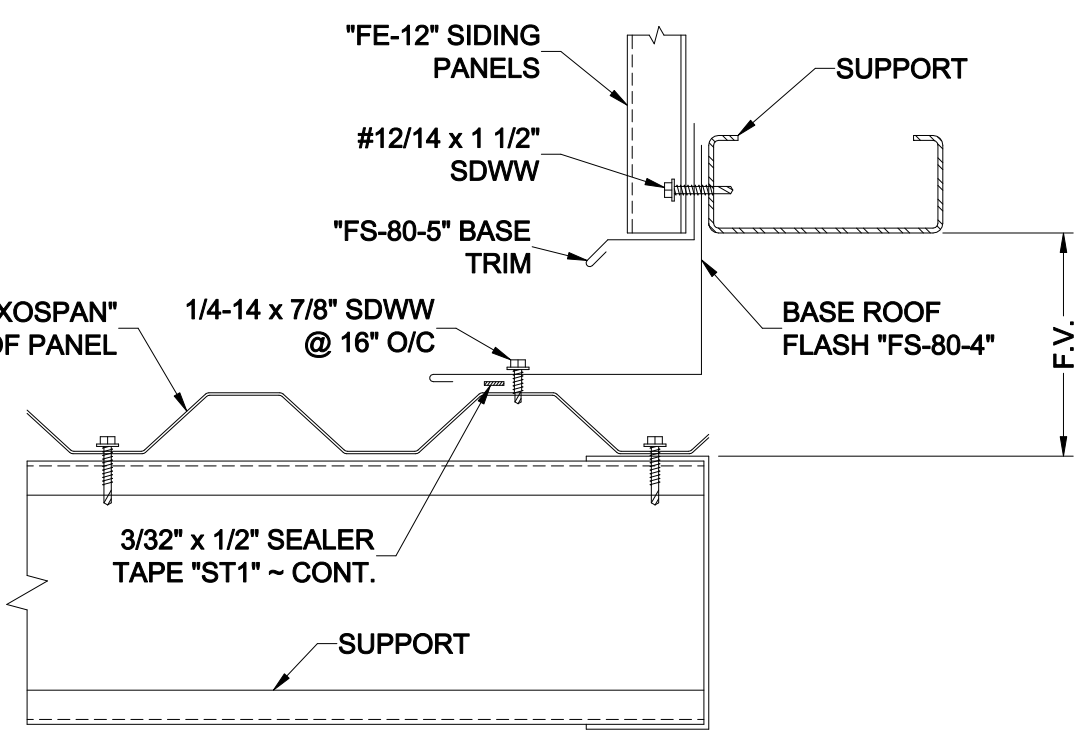
"FS-80-4" BASE ROOF FLASH



"FS-80-5" BASE TRIM



BASE ROOF (HALF RIDGE) DETAIL



BASE ROOF DETAIL

ERECTOR NOTES:

1. ENDS OF BASE ROOF FLASH SHOULD BE CAULKED AND LAPPED 4" AWAY FROM PREVAILING WIND. FLASHING SHOULD BE STITCHED TOGETHER AT ENDS USING TWO 1/4-14 x 7/8" SDWW FASTENERS.
2. "A" & "B" DIMENSIONS VARY DUE TO CONSTRUCTION VARIATIONS.

BOX 515 RAILROAD STREET
SANDY LAKE, PENNSYLVANIA 16145-0515
PHONE: 800-245-0396 ° FAX: 724-376-3864

"Fe-12" Concealed Fastener Panel
Standard Details

DRAWN BY: *rw* DATE: 3/2/00
CHECKED BY: CANON DATE:

Base Roof Details

DRAWING NO. FE12-6