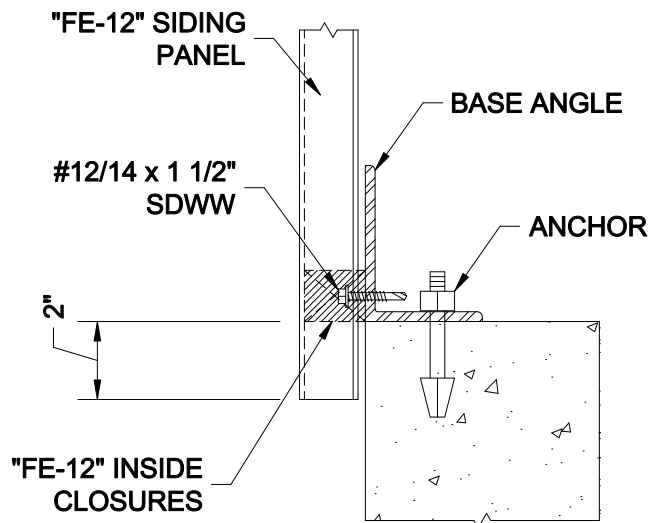
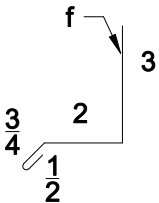


CURB w/ TRIM



CURB w/ CLOSURE



"FS-80-5" BASE TRIM



BOX 515 RAILROAD STREET
SANDY LAKE, PENNSYLVANIA 16145-0515
PHONE: 800-245-0396 ° FAX: 724-376-3864

"Fe-12" Concealed Fastener
Panel

Standard Details

DRAWN BY: TRW

DATE: 3/2/00

CHECKED BY: CANON

DATE:

Base Details

DRAWING NO.

FE12-7