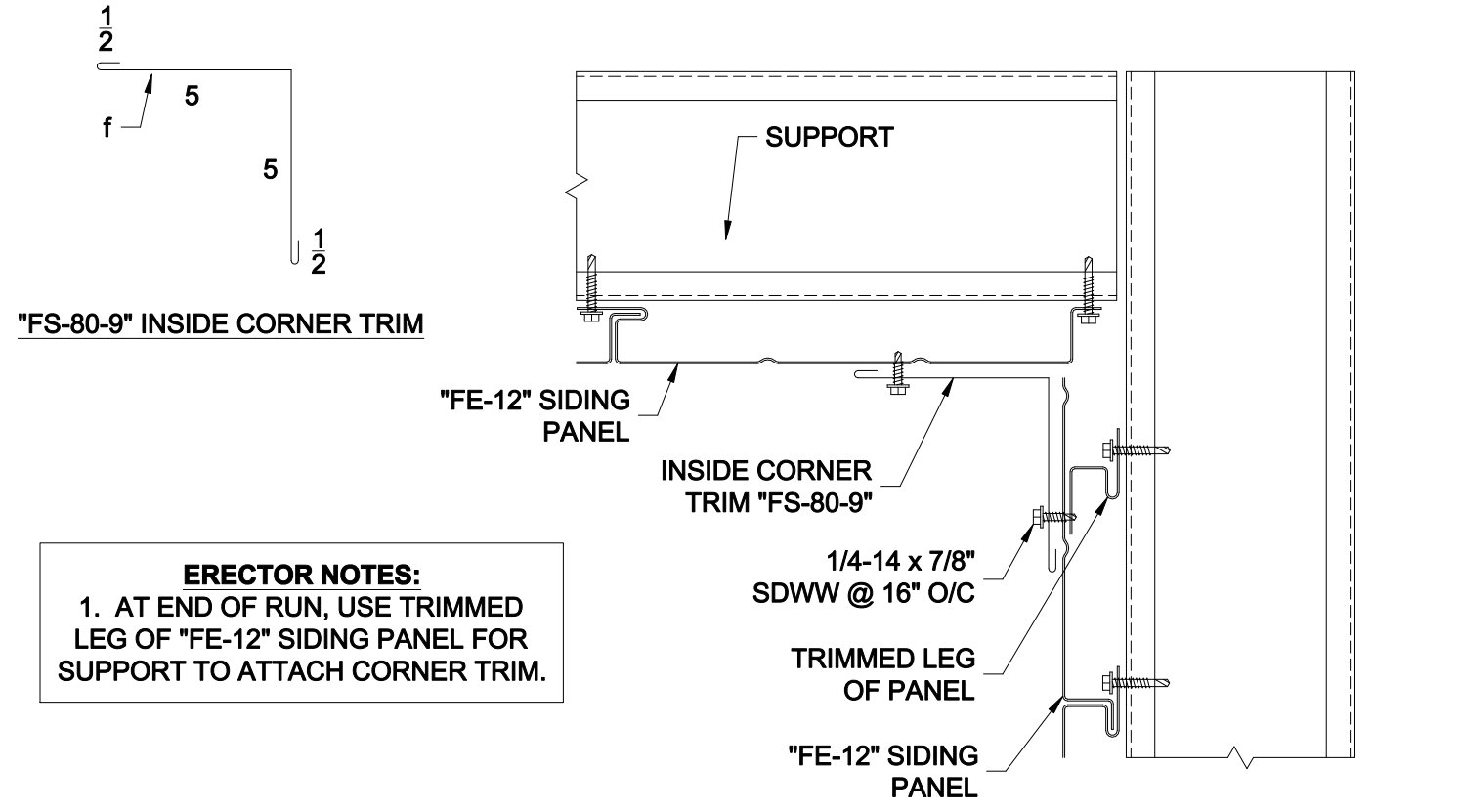


## OUTSIDE CORNER DETAIL



## INSIDE CORNER DETAIL

**ERECTOR NOTES:**  
 1. AT END OF RUN, USE TRIMMED LEG OF "FE-12" SIDING PANEL FOR SUPPORT TO ATTACH CORNER TRIM.

BOX 515 RAILROAD STREET  
 SANDY LAKE, PENNSYLVANIA 16145-0515  
 PHONE: 800-245-0396 ° FAX: 724-376-3864

"Fe-12" Concealed Fastener Panel		Outside & Inside Corner Details
Standard Details		
DRAWN BY: <i>rw</i>	DATE: 3/2/00	DRAWING NO.
CHECKED BY: CANON	DATE:	FE12-9