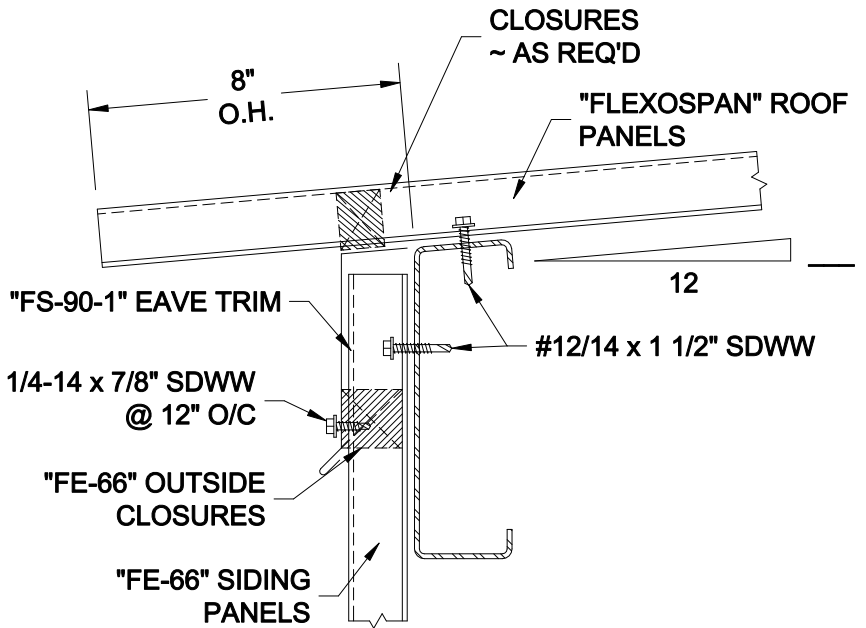
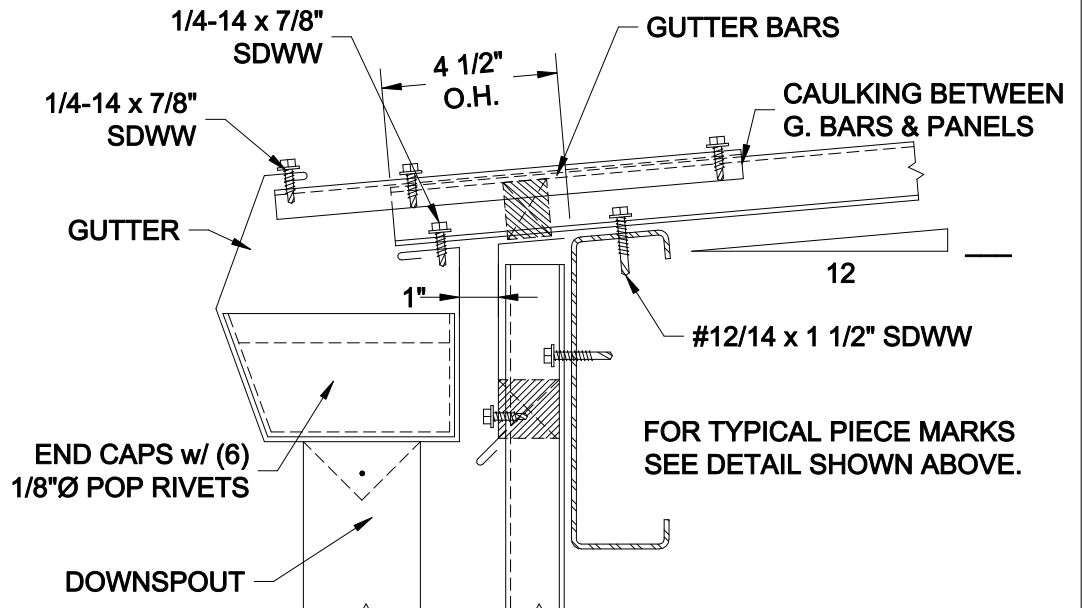


"FS-90-1" EAVE TRIM



**EAVE w/ TRIM**



**EAVE w/ TRIM & GUTTER**

**NOTES:**

1. GUTTER AND RELATED ACCESSORIES ARE NOT A STANDARD PART OF THE "FE-66" SIDING PANEL SYSTEM, BUT CAN BE MANUFACTURED AND SUPPLIED TO THE CUSTOMERS SPECIFICATION.
2. USE THE CHART TO THE LEFT FOR DIMENSION VALUES FOR YOUR PARTICULAR ROOF PITCH.

PITCH	"A" DIM.
1:12	95°
2:12	100°
3:12	104°
4:12	109°
5:12	113°



BOX 515 RAILROAD STREET  
SANDY LAKE, PENNSYLVANIA 16145-0515  
PHONE: 800-245-0396 ° FAX: 724-376-3864

"Fe-66" Concealed Fastener  
Panel  
Standard Details  
DRAWN BY: TRW DATE: 2/22/00  
CHECKED BY: CANON DATE:

Eave Details  
DRAWING NO.  
FE66-4