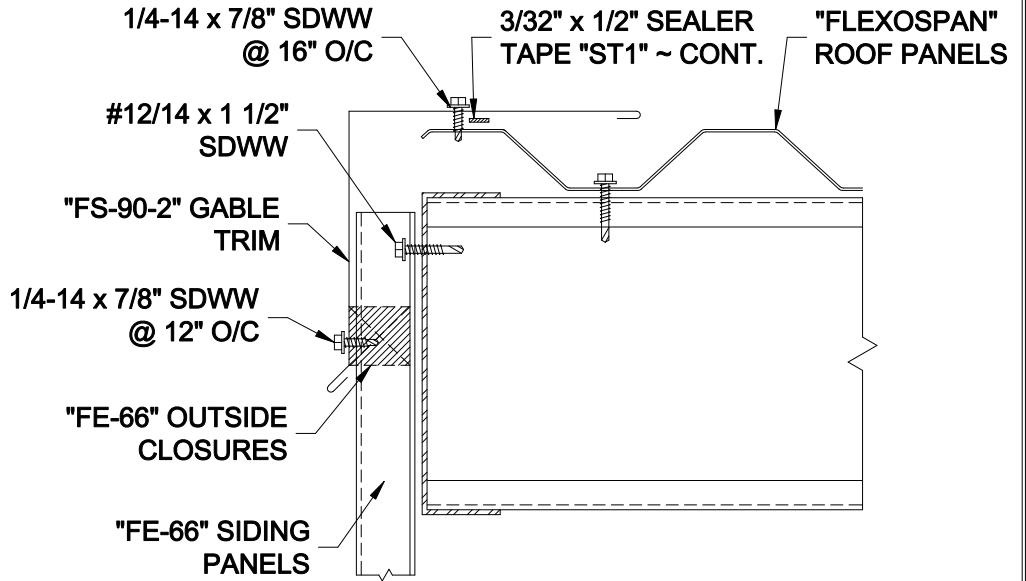


**"FS-90-2" GABLE TRIM**



## GABLE DETAIL



BOX 515 RAILROAD STREET  
SANDY LAKE, PENNSYLVANIA 16145-0515  
PHONE: 800-245-0396 ° FAX: 724-376-3864

"Fe-66" Concealed Fastener  
Panel  
Standard Details

DRAWN BY: *rw*

DATE: *2/22/00*

CHECKED BY: *CANON*

DATE:

Gable Details

DRAWING NO.

*FE66-5*