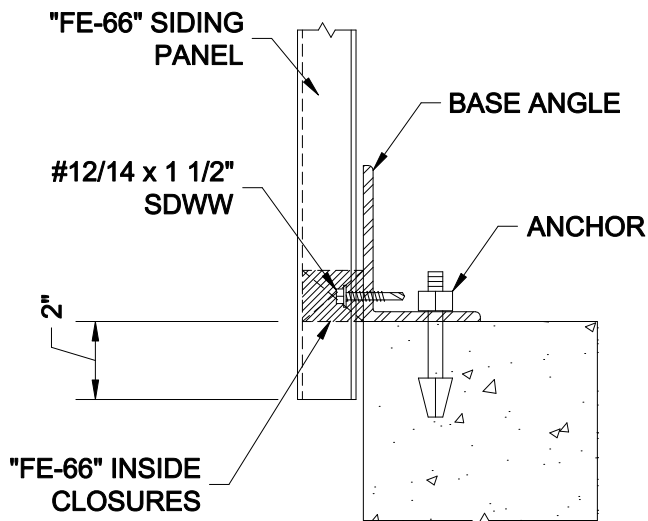
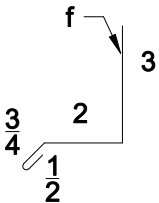


CURB w/ TRIM



CURB w/ CLOSURE



"FS-90-5" BASE TRIM



BOX 515 RAILROAD STREET
 SANDY LAKE, PENNSYLVANIA 16145-0515
 PHONE: 800-245-0396 ° FAX: 724-376-3864

"Fe-66" Concealed Fastener
 Panel
 Standard Details

DRAWN BY: *rw*
 CHECKED BY: CANON

DATE: 2/22/00
 DATE:

DRAWING NO.

Base Details

FE66-7