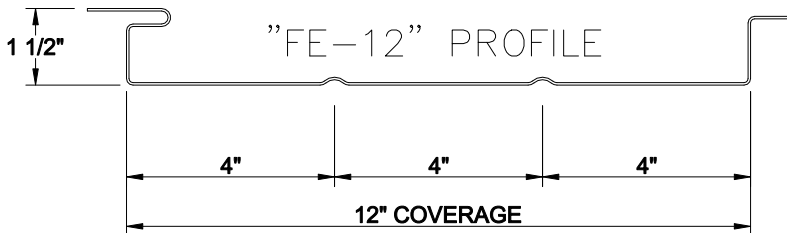
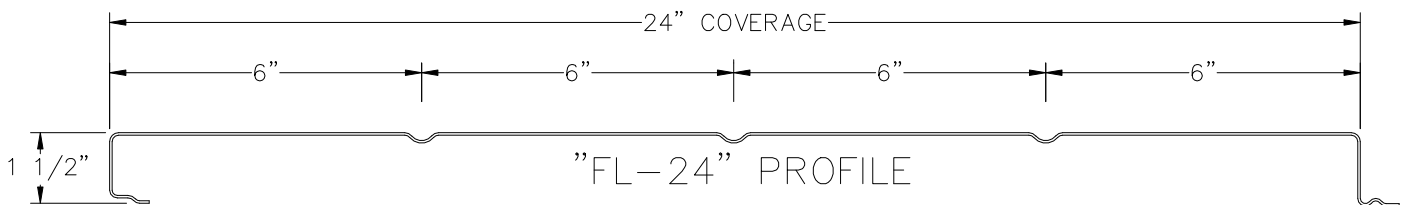
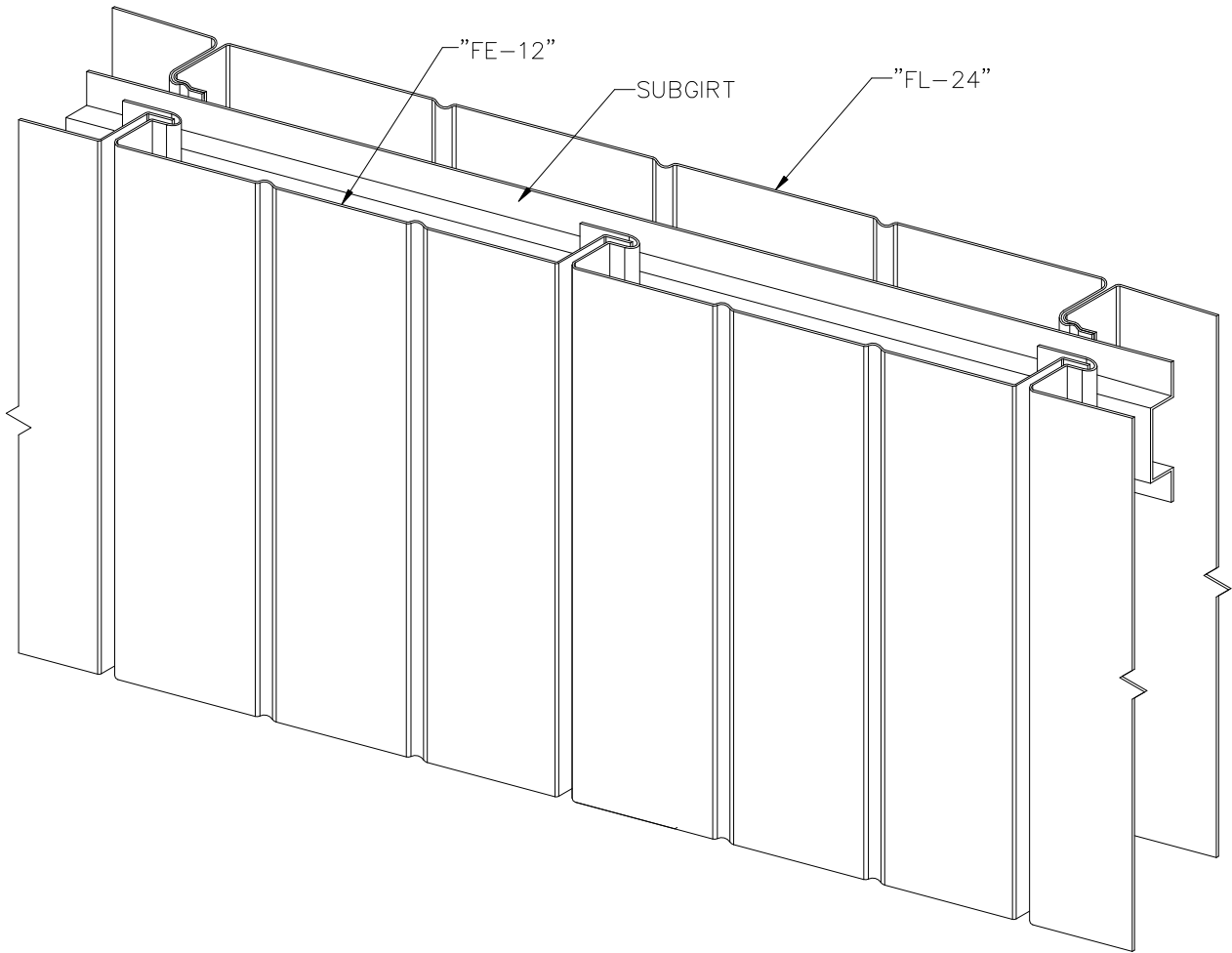


"FE-12" Concealed Fastener Panel w/ "FL-24" Liner Panel



FLEXOSPAN RESERVES THE RIGHT TO REVISE, ADD, OR DELETE ANY DETAIL OR INFORMATION HEREIN WITHOUT PRIOR NOTICE.



BOX 515 RAILROAD STREET
SANDY LAKE, PENNSYLVANIA 16145-0515
PHONE: 800-245-0396 ° FAX: 724-376-3864

"FL-24" Liner Panel
Standard Details

COVER

DRAWN BY: J. HANNOLD DATE: 10-31-02
CHECKED BY: T. FREED DATE:

DRAWING NO.
"FL-24"