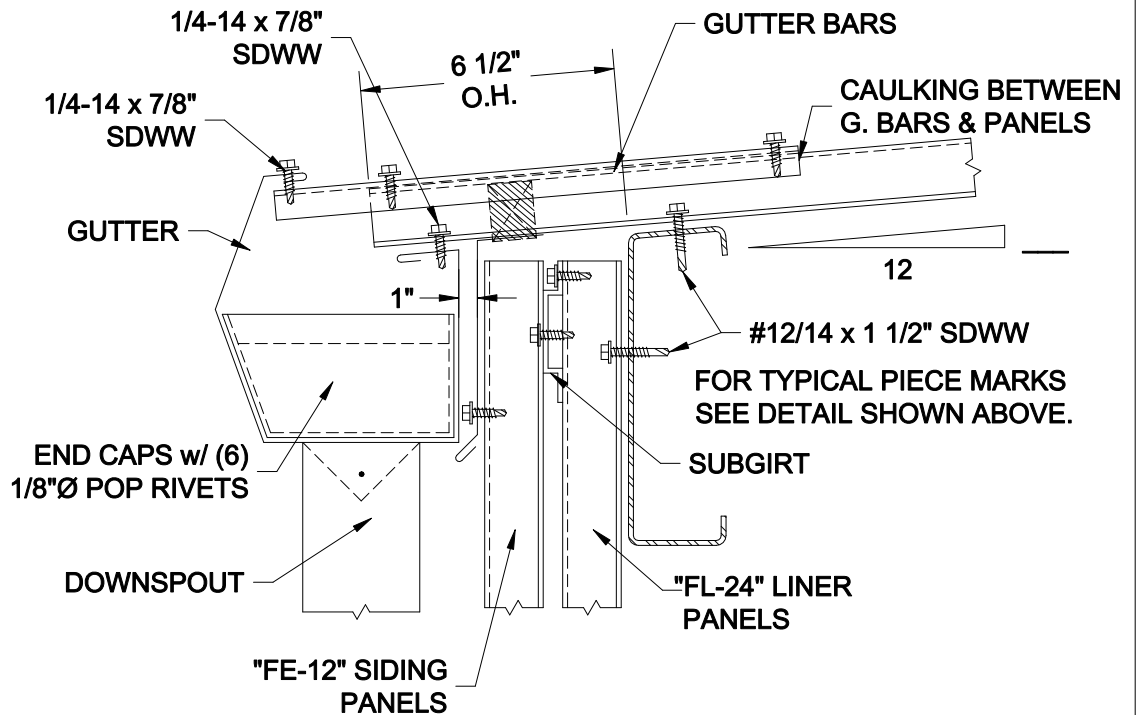


EAVE w/ TRIM



EAVE w/ TRIM & GUTTER

PITCH	"A" DIM.
1:12	95°
2:12	100°
3:12	104°
4:12	109°
5:12	113°

NOTES:

- GUTTER AND RELATED ACCESSORIES ARE NOT A STANDARD PART OF THE "FL-24" LINER PANEL SYSTEM, BUT CAN BE MANUFACTURED AND SUPPLIED TO THE CUSTOMERS SPECIFICATION.
- USE THE CHART TO THE LEFT FOR DIMENSION VALUES FOR YOUR PARTICULAR ROOF PITCH.



BOX 515 RAILROAD STREET
SANDY LAKE, PENNSYLVANIA 16145-0515
PHONE: 800-245-0396 ° FAX: 724-376-3864

"FL-24" Liner Panel
Standard Details

Eave Details

DRAWN BY: J.HANNOLD DATE: 11-1-02
CHECKED BY: T.FREED DATE:

DRAWING NO.
FL24-4