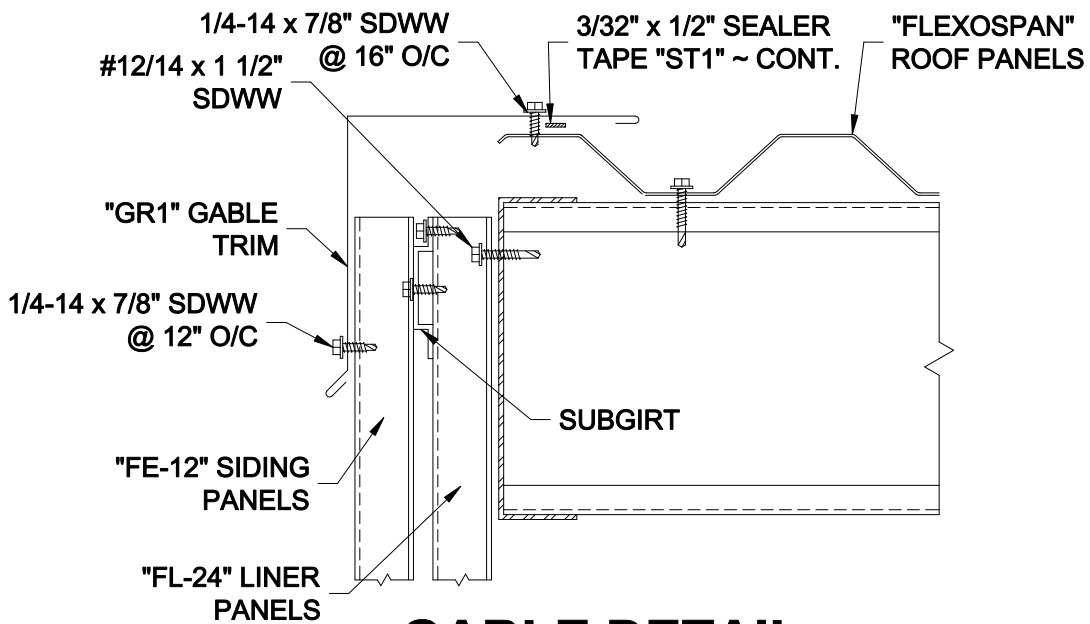


"GR1" GABLE TRIM



GABLE DETAIL



BOX 515 RAILROAD STREET
 SANDY LAKE, PENNSYLVANIA 16145-0515
 PHONE: 800-245-0396 ° FAX: 724-376-3864

"FI-24" Liner Panel
 Standard Details

Gable Details

DRAWN BY: J.HANNOLD

DATE: 11-1-02

DRAWING NO.

CHECKED BY: T.FREED

DATE:

FL24-5