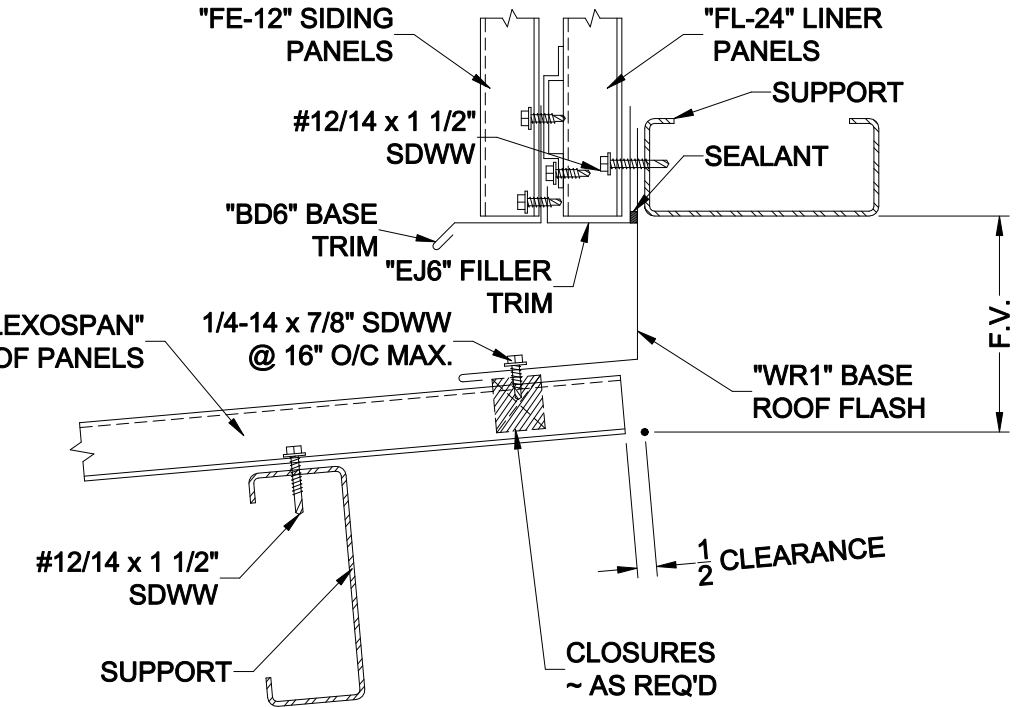
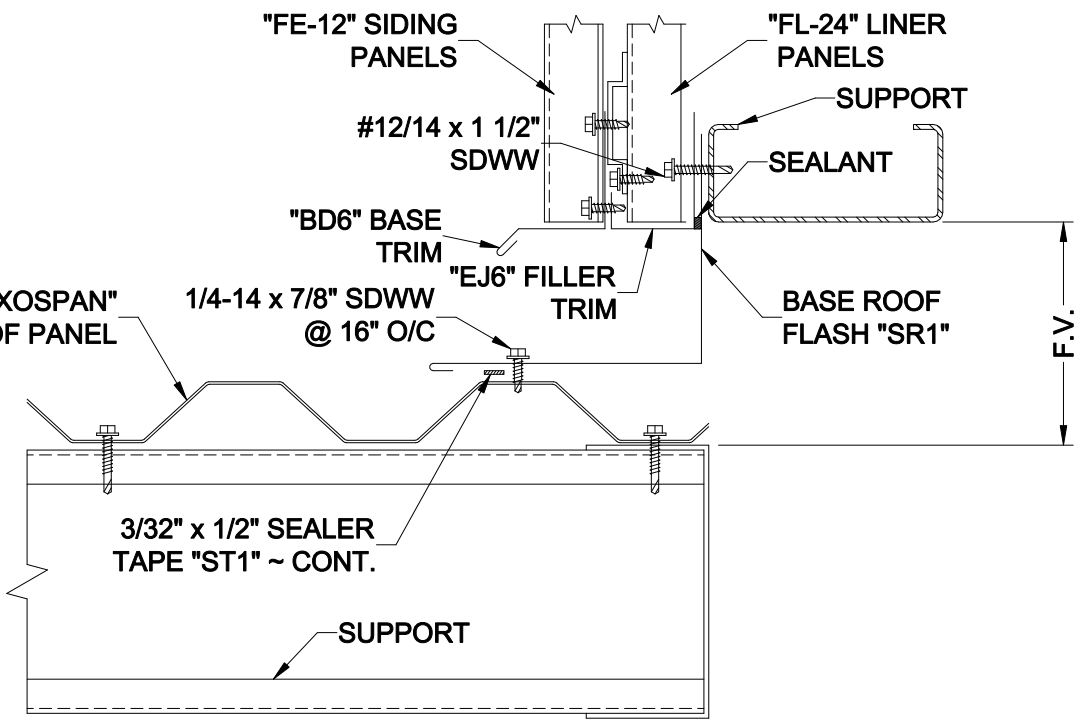
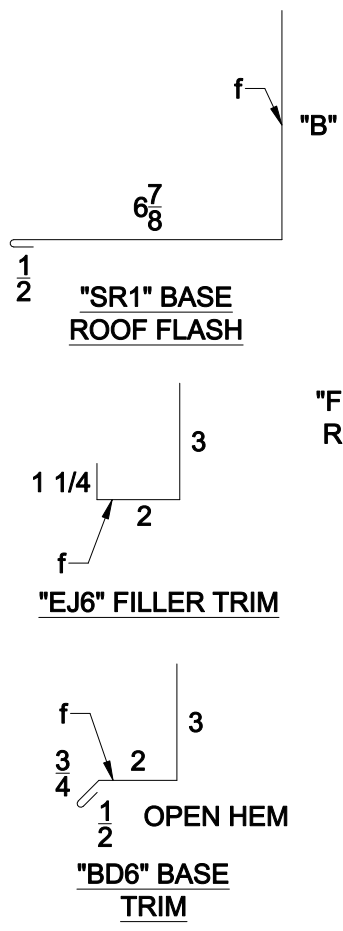


PITCH	"A" ANGLE
1:12	95°
2:12	99°
3:12	104°
4:12	108°
5:12	113°



BASE ROOF (HALF RIDGE) DETAIL



BASE ROOF DETAIL

- ERECTOR NOTES:**
1. ENDS OF BASE ROOF FLASH SHOULD BE CAULKED AND LAPPED 4" AWAY FROM PREVAILING WIND. FLASHING SHOULD BE STITCHED TOGETHER AT ENDS USING TWO 1/4-14 x 7/8" SDWW FASTENERS.
 2. "A" & "B" DIMENSIONS VARY DUE TO CONSTRUCTION VARIATIONS.

BOX 515 RAILROAD STREET
SANDY LAKE, PENNSYLVANIA 16145-0515
PHONE: 800-245-0396 ° FAX: 724-376-3864

"FI-24" Liner Panel
Standard Details

DRAWN BY: J.HANNOLD DATE: 11-1-02
CHECKED BY: T.FREED DATE:

Base Roof Details

DRAWING NO.
FL24-6