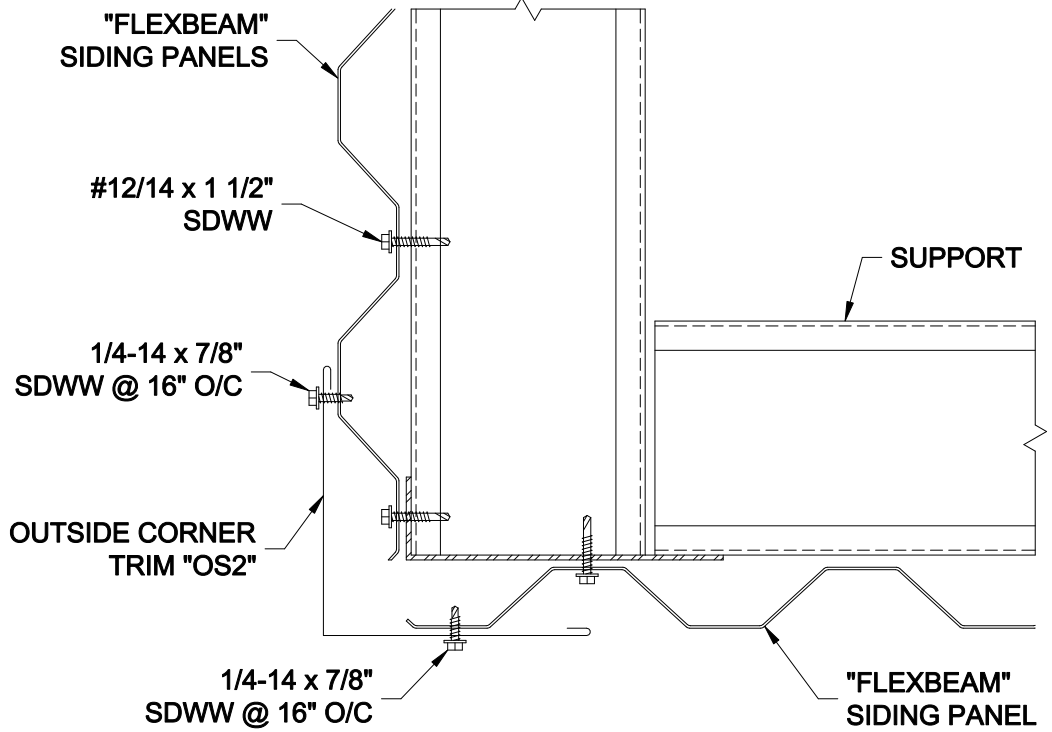
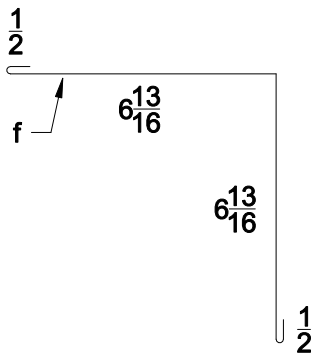


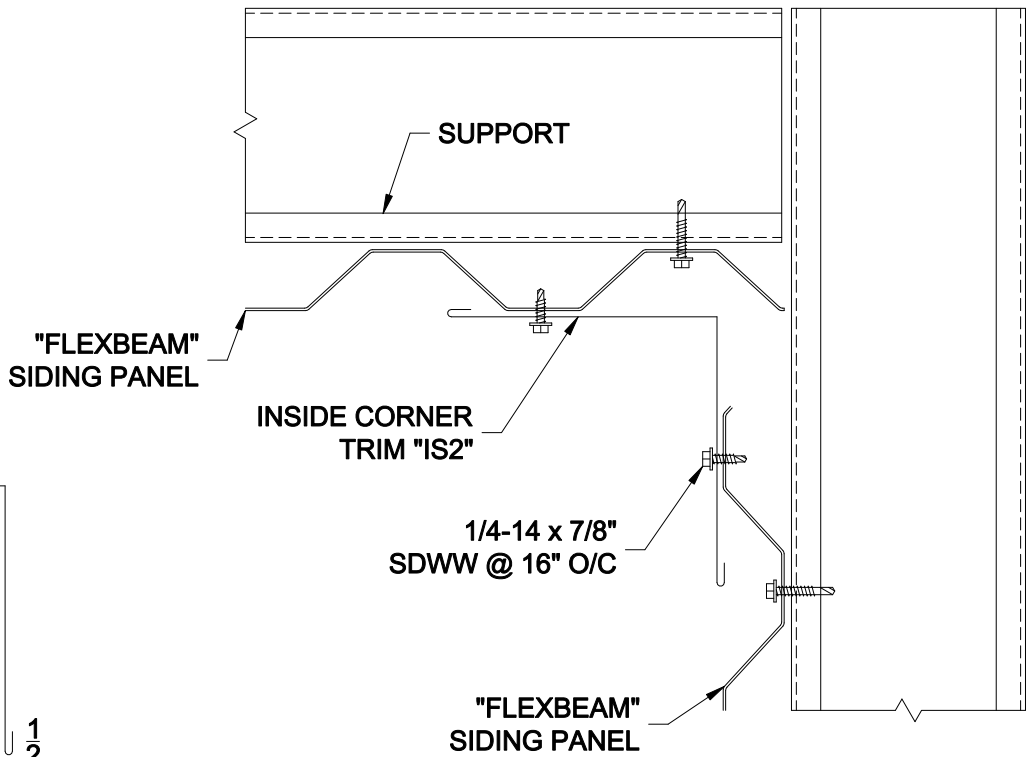
"OS2" OUTSIDE CORNER TRIM



OUTSIDE CORNER DETAIL



"IS2" INSIDE CORNER TRIM



INSIDE CORNER DETAIL



BOX 515 RAILROAD STREET
SANDY LAKE, PENNSYLVANIA 16145-0515
PHONE: 800-245-0396 ° FAX: 724-376-3864

"Flexbeam" Standard
Details

Outside & Inside Corner
Details

DRAWN BY: RW

DATE: 1/24/00

DRAWING NO.

REVISED BY: CANON
K. Kemmer

DATE: 5-30-00

flexbeam-11