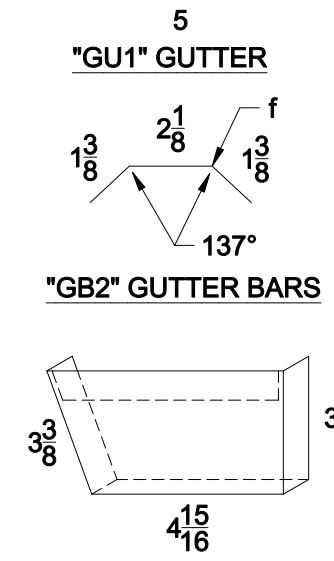
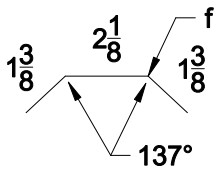


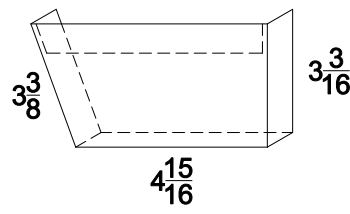
"LE3" EAVE TRIM



"GU1" GUTTER

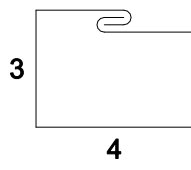


"GB2" GUTTER BARS



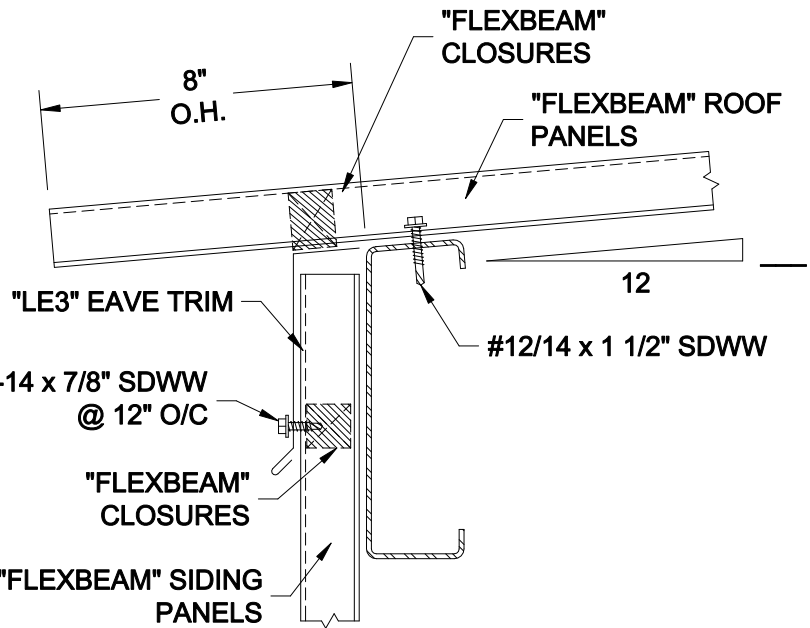
"GU1EC(R&L)" END CAPS

"GU1ECR" ~ AS SHOWN
 "GU1ECL" ~ OPP. HAND

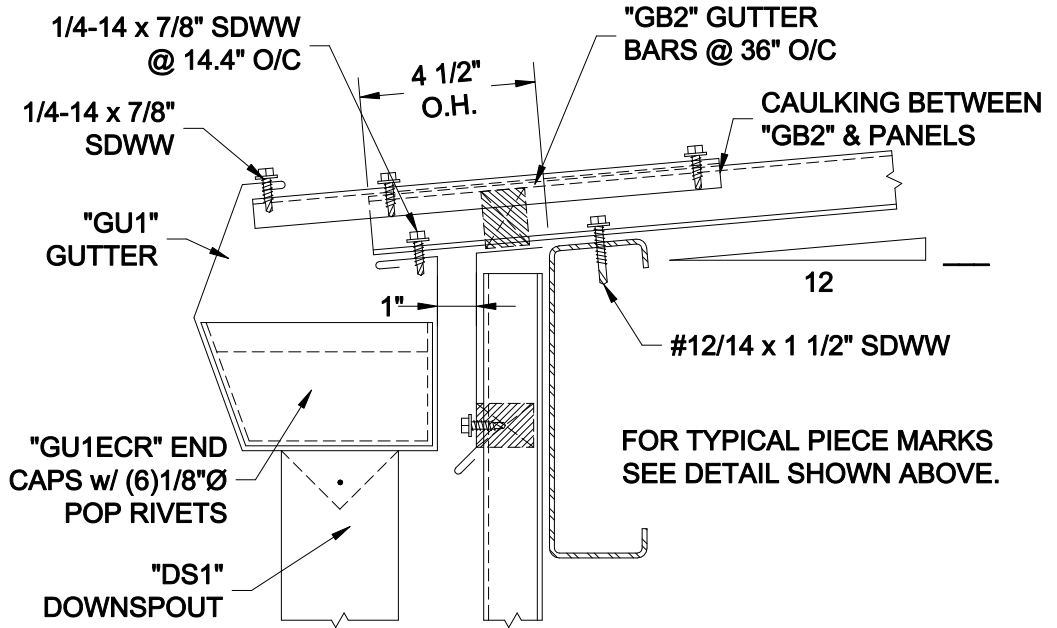


"DS1" DOWNSPOUTS

PITCH	"A" DIM.	"B" DIM.	"C" DIM.	"D" DIM.
1:12	95°	115°	85°	5 5/16
2:12	100°	120°	80°	5 3/4
3:12	104°	124°	76°	6 1/8
4:12	109°	129°	71°	6 1/2
5:12	113°	133°	67°	6 7/8



EAVE w/ TRIM



EAVE w/ TRIM & GUTTER

- NOTES:**
- GUTTER TO BE CAULKED & LAPPED 4" MIN. AND POP RIVETED TOGETHER USING (8) 1/8" Ø POP RIVETS.
 - FIELD LOCATE AND MARK DOWNSPOUT LOCATION IN BOTTOM OF GUTTER. DRAW LINE FROM CORNER TO CORNER AND CUT ALONG LINE. BEND TABS DOWN AND POP RIVET INSIDE DOWNSPOUT.
 - USE THE CHART TO THE LEFT FOR DIMENSION VALUES FOR YOUR PARTICULAR ROOF PITCH.
 - GUTTER SIZE AND GUTTER BAR SPACING MUST BE ADJUSTED TO SUIT LOCAL WEATHER PECULIARITIES AND/OR TO ACCOMMODATE LONG ROOF SLOPES.



BOX 515 RAILROAD STREET
 SANDY LAKE, PENNSYLVANIA 16145-0515
 PHONE: 800-245-0396 ° FAX: 724-376-3864

"Flexbeam" Standard Details		Eave Details
DRAWN BY: RW	DATE: 1/24/00	DRAWING NO.
REVISED BY: K. Kemmer	DATE: 5-30-00	flexbeam-5