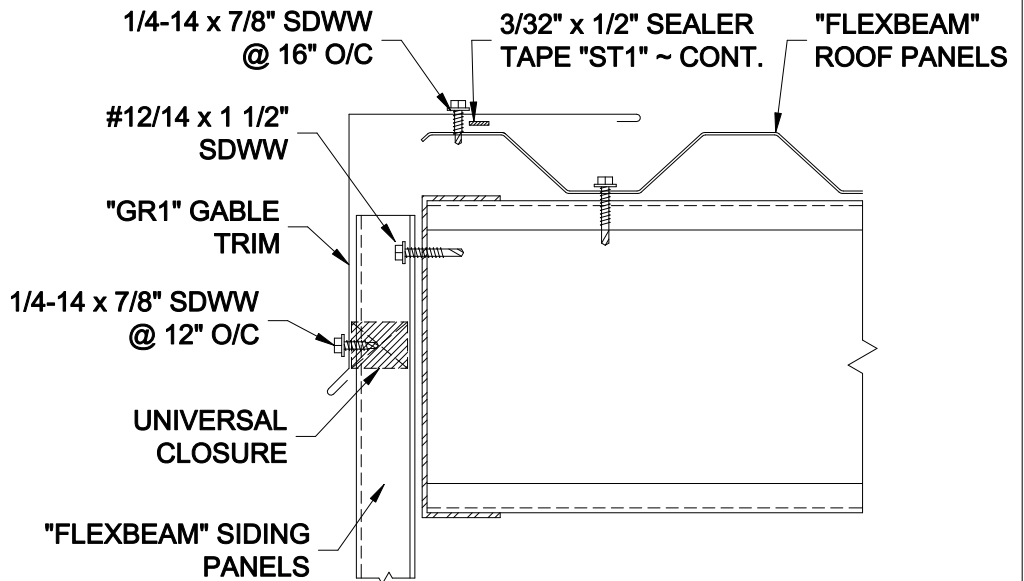
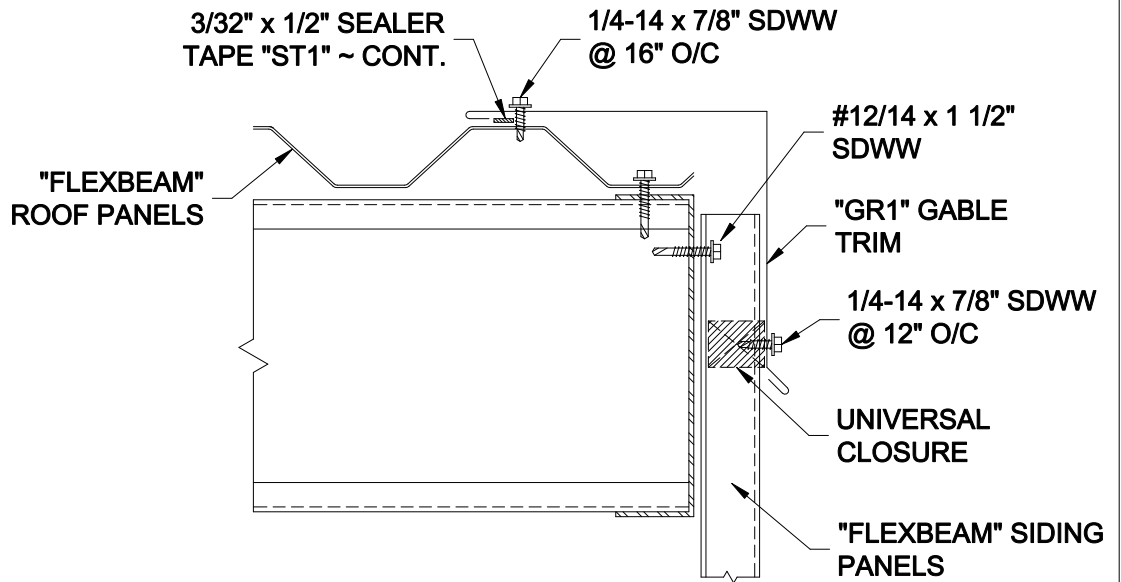


"GR1" GABLE TRIM



START GABLE DETAIL



FINISH GABLE DETAIL



BOX 515 RAILROAD STREET
 SANDY LAKE, PENNSYLVANIA 16145-0515
 PHONE: 800-245-0396 ° FAX: 724-376-3864

"Flexbeam" Standard
 Details

Gable Details

DRAWN BY: RW

DATE: 2/29/00

DRAWING NO.

REVISED BY: CANON
 K. Kemmer

DATE: 5-30-00

flexbeam-6