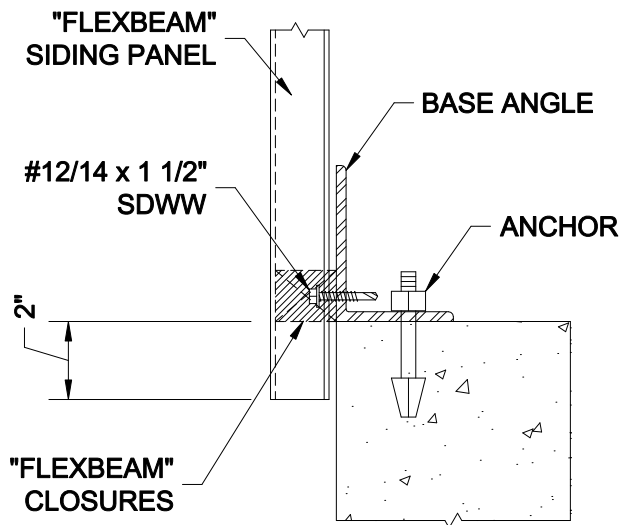
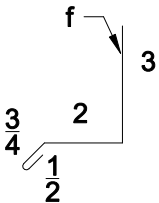


## CURB w/ TRIM



## CURB w/ CLOSURE



"BD4" BASE TRIM



BOX 515 RAILROAD STREET  
SANDY LAKE, PENNSYLVANIA 16145-0515  
PHONE: 800-245-0396 ° FAX: 724-376-3864

"Flexbeam" Standard  
Details

Base Details

DRAWN BY: RW

DATE: 1/24/00

DRAWING NO.

REVISED BY: CANON  
K. Kemmer

DATE: 5-30-00

flexbeam-9