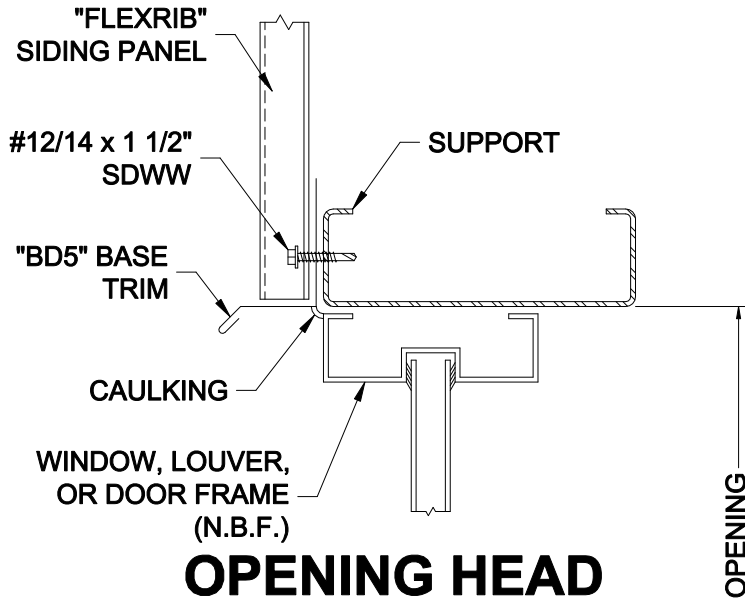
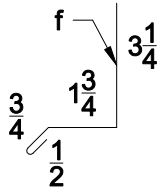
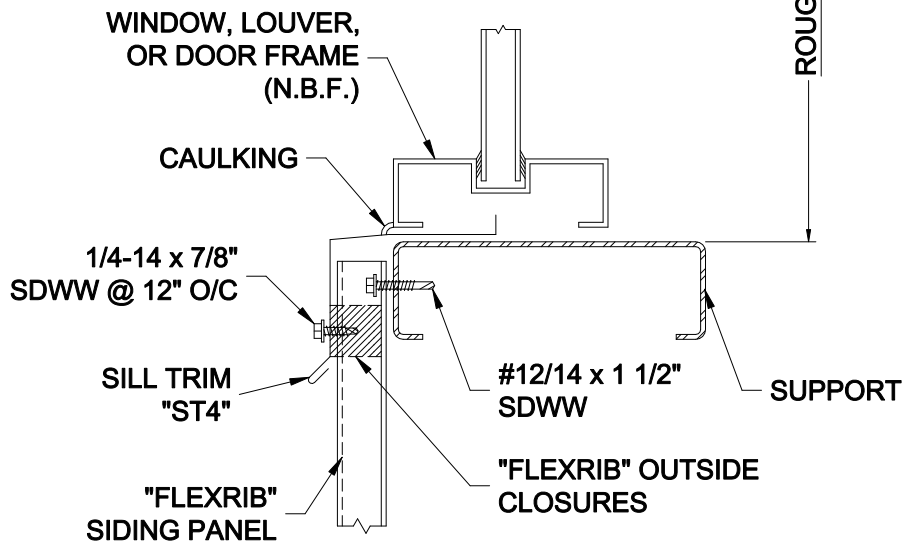


"BD5" BASE TRIM

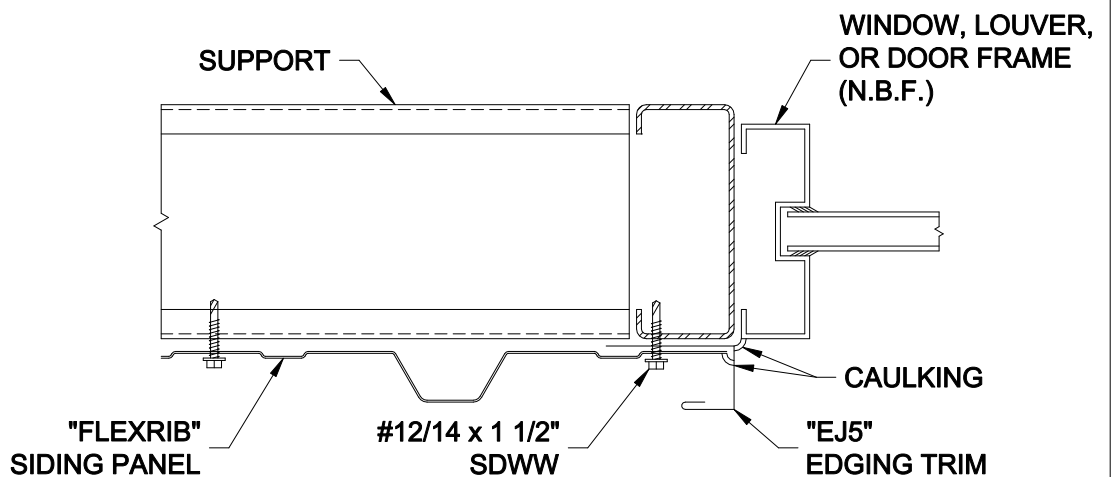
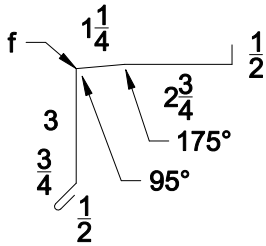


OPENING HEAD



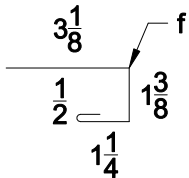
OPENING SILL

"ST4" SILL TRIM



OPENING JAMB

"EJ5" EDGING TRIM



BOX 515 RAILROAD STREET
SANDY LAKE, PENNSYLVANIA 16145-0515
PHONE: 800-245-0396 ° FAX: 724-376-3864

"Flexrib" Standard Details

DRAWN BY: *Rw*
DATE: 1/18/00
REVISED BY: *CANON*
K. Kemmer DATE: 5-31-00

Opening Head, Sill, & Jamb Details

DRAWING NO. Flexrib-10