

**"OS3" OUTSIDE CORNER TRIM**

"FLEXRIB"  
SIDING PANEL

#12/14 x 1 1/2"  
SDWW

1/4-14 x 7/8"  
SDWW @ 16" O/C

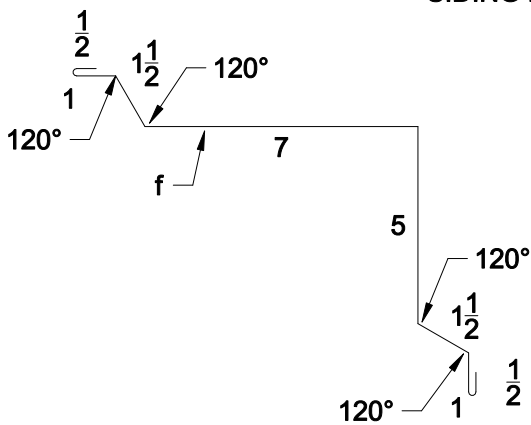
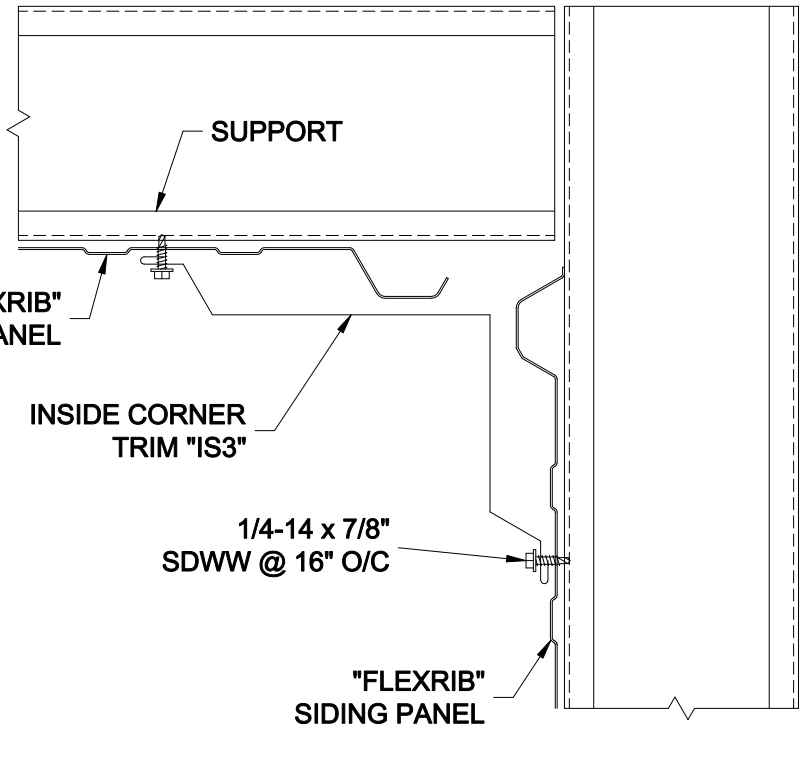
OUTSIDE CORNER  
TRIM "OS3"

1/4-14 x 7/8"  
SDWW @ 16" O/C

"FLEXRIB"  
SIDING PANEL

SUPPORT

## OUTSIDE CORNER DETAIL



**"IS3" INSIDE CORNER TRIM**

## INSIDE CORNER DETAIL



BOX 515 RAILROAD STREET  
SANDY LAKE, PENNSYLVANIA 16145-0515  
PHONE: 800-245-0396 ° FAX: 724-376-3864

"Flexrib" Standard Details

DRAWN BY: *Rw*  
DATE: 1/18/00  
REVISED BY: *CANON*  
DATE: 5-31-00

Outside & Inside Corner  
Details

DRAWING NO.  
Flexrib-11