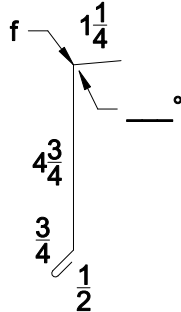


"FLEXRIB" STANDARD TRIM SKETCHES

GA. # _____ COLOR _____

7 1/4"

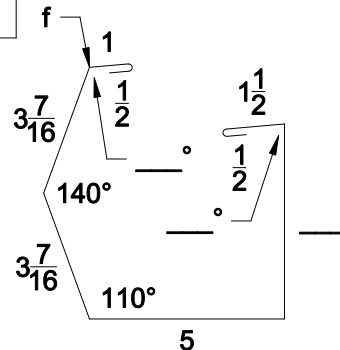


REQ'D: _____ PCS. @ 10'-0" LG.

"LE3" EAVE TRIM

GA. # _____ COLOR _____

22"

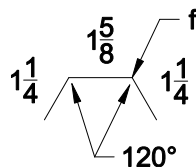


REQ'D: _____ PCS. @ 10'-0" LG.

"GU1" GUTTER

GA. # _____ COLOR _____

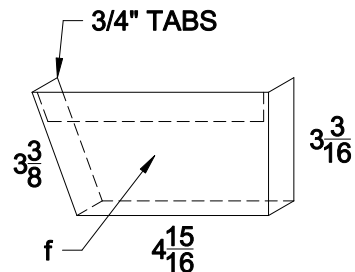
4 1/8"



REQ'D: _____ PCS. @ 1'-0" LG.

"GB3" GUTTER BARS

GA. # _____ COLOR _____



"GU1ECR" ~ AS SHOWN "GU1ECL" OPP. HAND

REQ'D: _____ (RIGHT) REQ'D: _____ (LEFT)

"GU1EC(R&L)" END CAPS

NOTES:

1. ALL TRIM IS MANUFACTURED IN 10'-0" LENGTHS UNLESS SPECIFIED OTHERWISE.
2. MAXIMUM LENGTH OF TRIM IS 10'-0".
3. PLEASE INSERT GAUGE OF MATERIAL IN SPACES PROVIDED.
4. PLEASE INSERT COLOR OF MATERIAL IN SPACES PROVIDED.
5. PLEASE INSERT QUANTITY DESIRED WHERE SHOWN.
6. PLEASE INSERT REQ'D DIMENSIONS.



BOX 515 RAILROAD STREET
SANDY LAKE, PENNSYLVANIA 16145-0515
PHONE: 800-245-0396 ° FAX: 724-376-3864

"Flexrib" Standard Details

DRAWN BY: *Rw* DATE: 2/29/00
REVISED BY: *CANON* DATE: 7/9/15
D. OUREY

"Flexrib" Standard Trim Sketches

DRAWING NO.
Flexrib-13