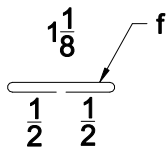
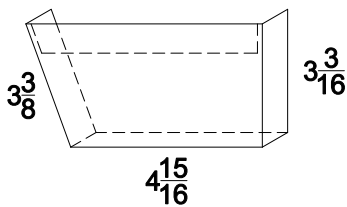


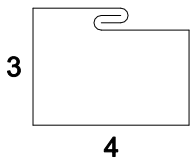
"FRGU2" GUTTER



"GSS1" GUTTER BARS

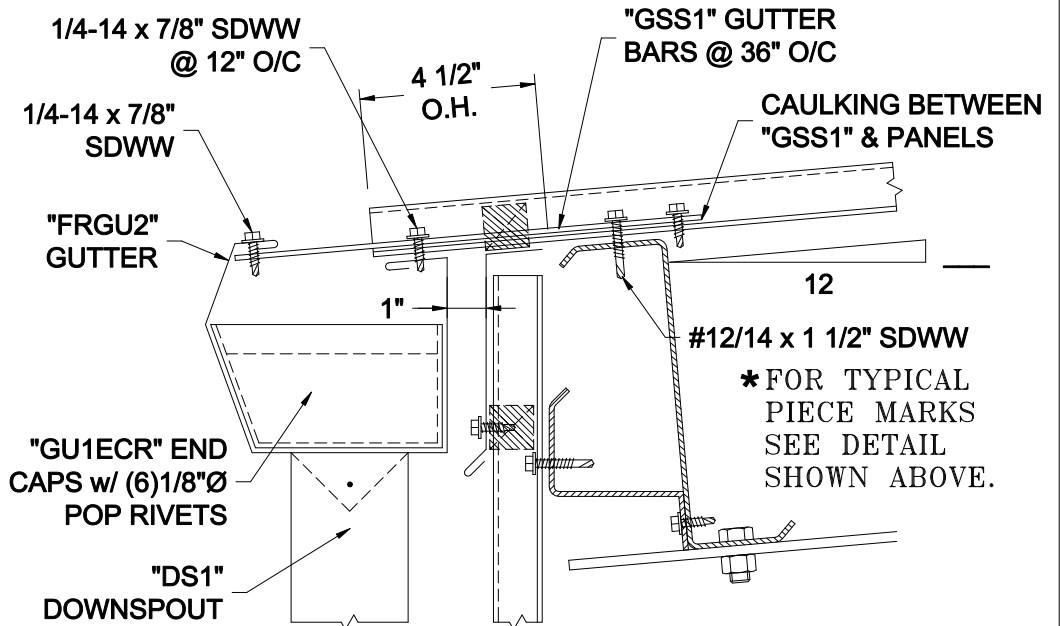
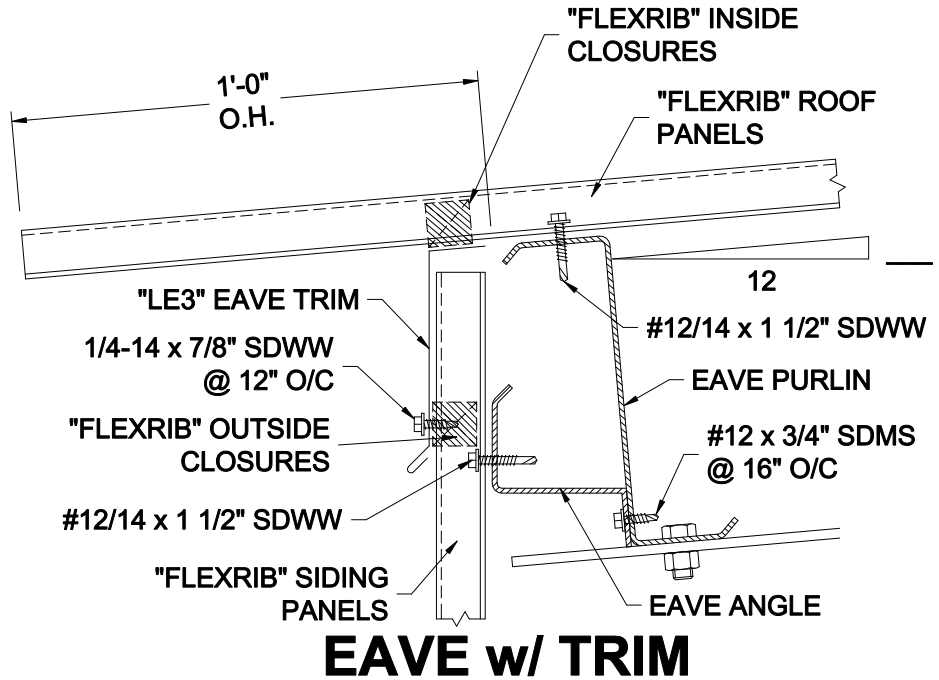


"GU1EC(R&L)" END CAPS
 "GU1ECR" ~ AS SHOWN
 "GU1ECL" ~ OPP. HAND



"DS1" DOWNSPOUTS

PITCH	"A" DIM.	"B" DIM.	"C" DIM.	"D" DIM.
1:12	95°	115°	85°	5 5/8"
2:12	100°	120°	80°	6"
3:12	104°	124°	76°	6 3/8"
4:12	109°	129°	71°	6 13/16"
5:12	113°	133°	67°	7 3/16"



EAVE w/ TRIM & FLUSH GUTTER

NOTES:

- GUTTER TO BE CAULKED & LAPPED 4" MIN. AND POP RIVETED TOGETHER USING (8) 1/8"Ø POP RIVETS.
- FIELD LOCATE AND MARK DOWNSPOUT LOCATION IN BOTTOM OF GUTTER. DRAW LINE FROM CORNER TO CORNER AND CUT ALONG LINE. BEND TABS DOWN AND POP RIVET INSIDE DOWNSPOUT.
- USE THE CHART TO THE LEFT FOR DIMENSION VALUES FOR YOUR PARTICULAR ROOF PITCH.
- GUTTER SIZE AND GUTTER BAR SPACING MUST BE ADJUSTED TO SUIT LOCAL WEATHER PECULIARITIES AND/OR TO ACCOMMODATE LONG ROOF SLOPES.



BOX 515 RAILROAD STREET
 SANDY LAKE, PENNSYLVANIA 16145-0515
 PHONE: 800-245-0396 ° FAX: 724-376-3864

"Flexrib" Standard Details

BUILDING
 Eave Details

DRAWN BY: D.UREY

DATE: 10/9/04

DRAWING NO.

REVISED BY:

DATE:

Flexrib - 5B