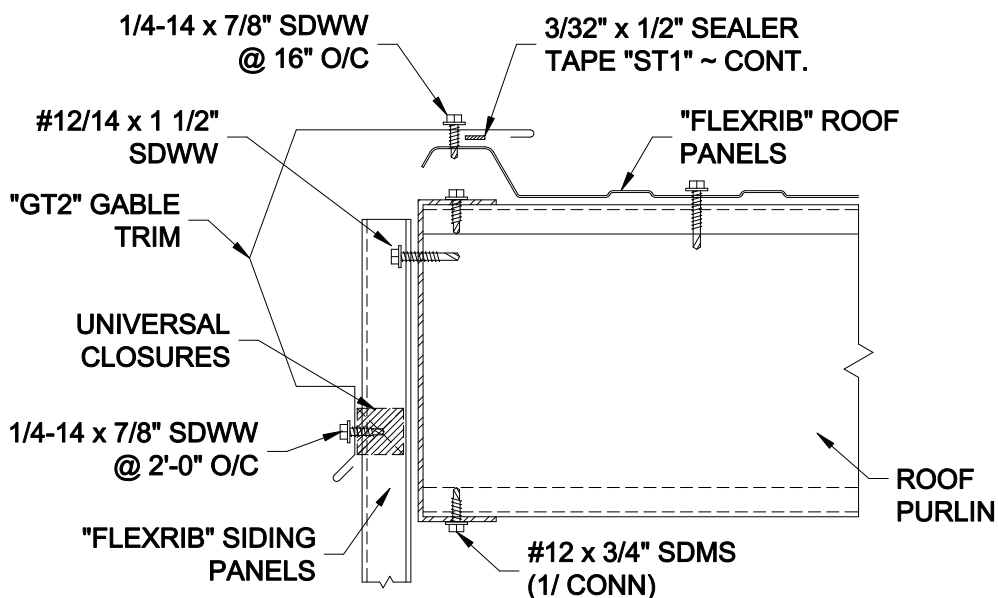
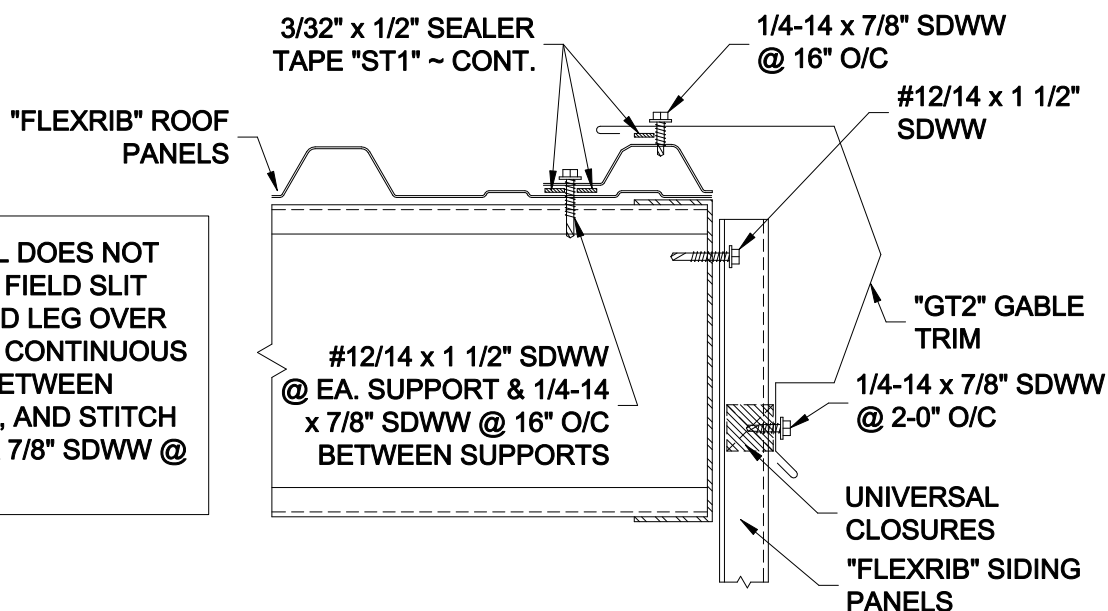


"GT2" GABLE TRIM



START GABLE DETAIL

ERECTOR NOTE: IF PANEL DOES NOT END ON A HIGH RIB; THEN FIELD SLIT PANEL, BACK LAP TRIMMED LEG OVER ROOF PANEL, APPLY TWO CONTINUOUS ROWS OF SEALER TAPE BETWEEN PANEL AND TRIMMED LEG, AND STITCH TOGETHER USING 1/4-14 x 7/8" SDWW @ 16" O/C MAX.



FINISH GABLE DETAIL



BOX 515 RAILROAD STREET
SANDY LAKE, PENNSYLVANIA 16145-0515
PHONE: 800-245-0396 ° FAX: 724-376-3864

"Flexrib" Standard Details

Building
Gable Details

DRAWN BY: D.UREY

DATE: 10/9/04

DRAWING NO.

REVISED BY:

DATE:

Flexrib-6B