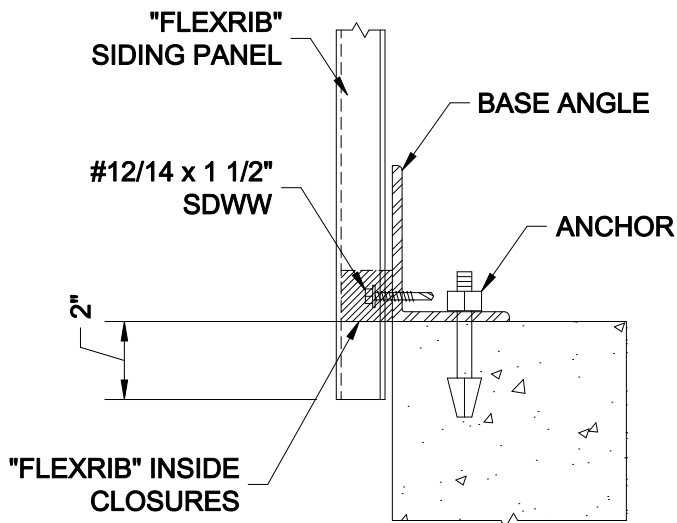
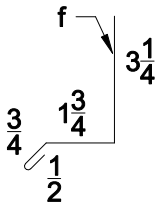


CURB w/ TRIM



CURB w/ CLOSURE



"BD5" BASE TRIM



BOX 515 RAILROAD STREET
SANDY LAKE, PENNSYLVANIA 16145-0515
PHONE: 800-245-0396 ° FAX: 724-376-3864

"Flexrib" Standard Details

Base Details

DRAWN BY:

Rw

DATE: 1/18/00

DRAWING NO.

REVISED BY: K. Kemmer

CANON

DATE: 5-31-00

Flexrib-9