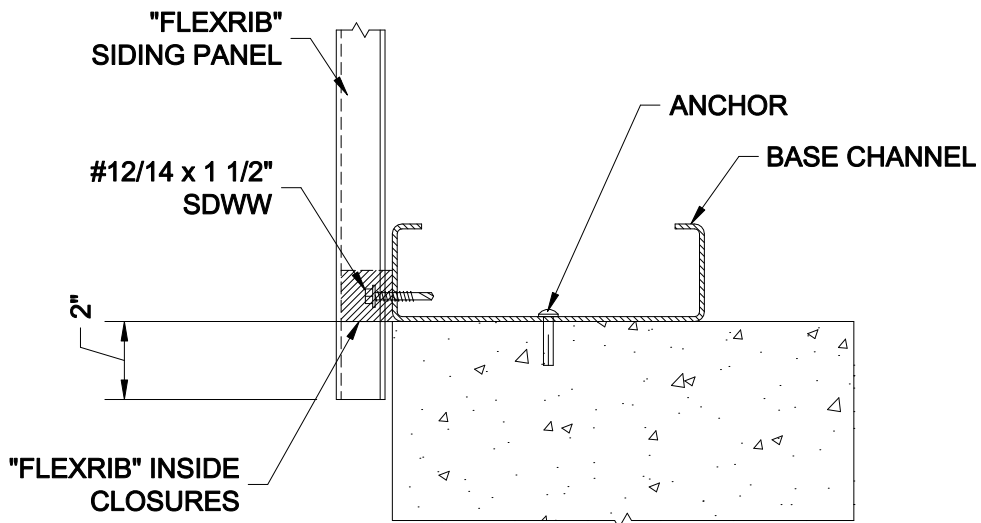
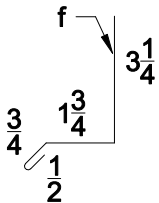


### CURB w/ TRIM



### CURB w/ CLOSURE



"BD5" BASE TRIM



BOX 515 RAILROAD STREET  
 SANDY LAKE, PENNSYLVANIA 16145-0515  
 PHONE: 800-245-0396 ° FAX: 724-376-3864

### "Flexrib" Standard Details

DRAWN BY: D.UREY

DATE: 10/9/04

REVISED BY:

DATE:

Building  
 Base Details

DRAWING NO.

Flexrib - 9B