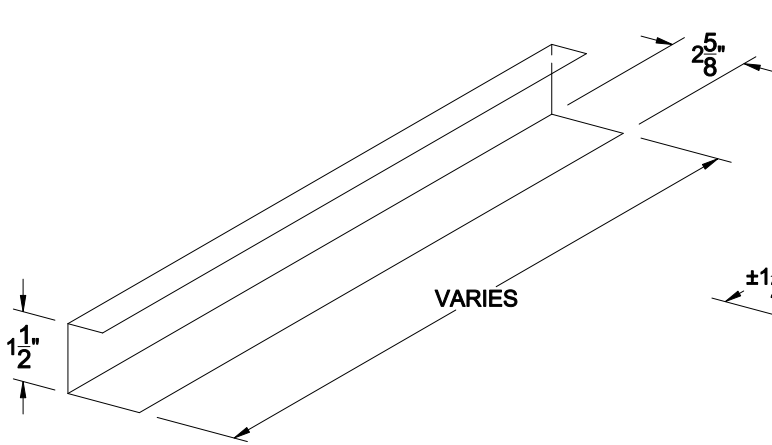
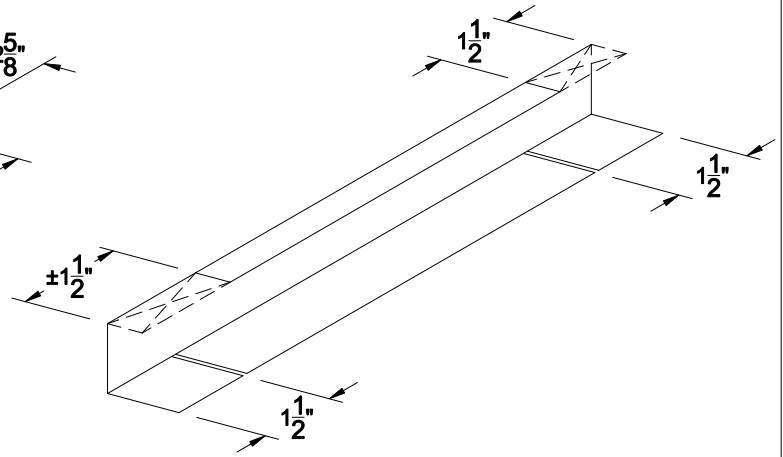


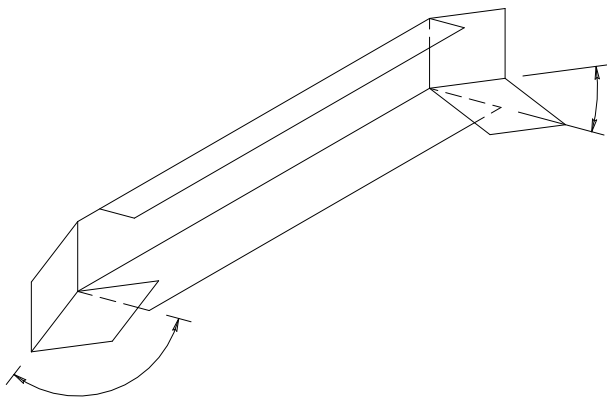
# FIELD FORMING OF RIDGE CEE CLOSURES



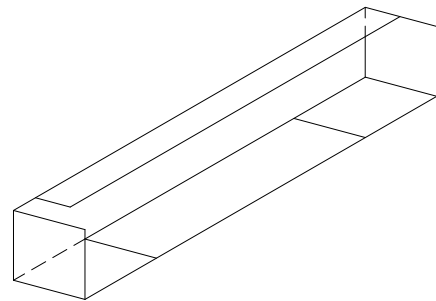
**STEP 1: FIELD CUT 1'-10" PIECES FROM 10'-0" SECTIONS.**



**STEP 2: FIELD COPE TOP FLANGES AND NOTCH BOTTOM FLANGES.**



**STEP 3: FIELD BEND THE CEE CLOSURE ENDS AROUND COMPLETELY TO 90°.**



**FINISHED PRODUCT**

**ERECTOR NOTES:**

1. ALL DIMENSIONS ARE NOMINAL AND FIELD ADJUSTMENTS OF THEM MAY BE NECESSARY TO ACHIEVE ULTIMATE WEATHERTIGHTNESS.
2. CEE CLOSURES @ HIP RIDGES ARE FIELD FORMED SIMILAR.



BOX 515 RAILROAD STREET  
SANDY LAKE, PENNSYLVANIA 16145-0515  
PHONE: 800-245-0396 ° FAX: 724-376-3864

"FSS-1.5" Standing Seam  
Details

DRAWN BY: D. UREY

DATE: 9-26-05

CHECKED BY:

DATE:

Field Forming Of Ridge  
Closures

DRAWING NO.

FSS15-6