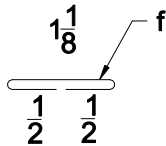
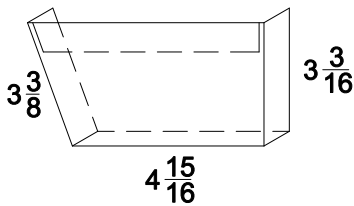


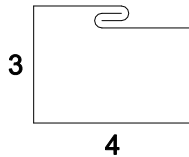
5
"SSGU2" GUTTER



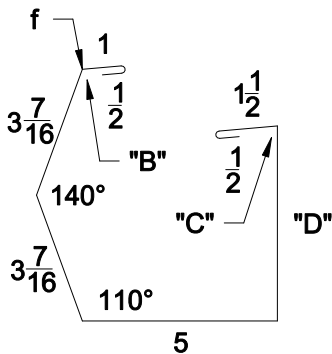
"GSS1" GUTTER BARS



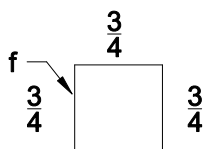
"GU1EC(R&L)" END CAPS
"GU1ECR" ~ AS SHOWN
"GU1ECL" ~ OPP. HAND



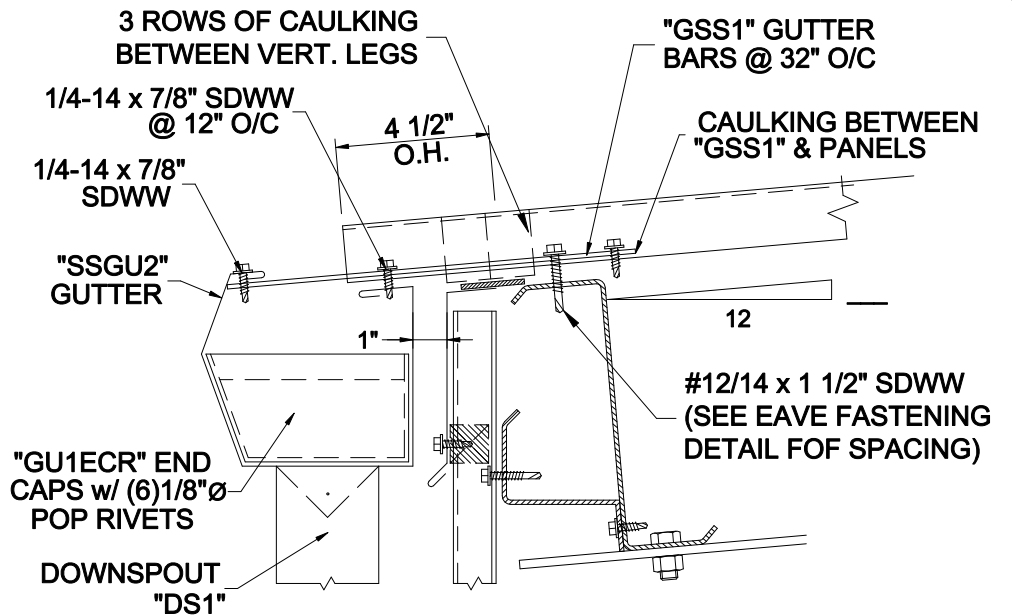
"DS1" DOWNSPOUTS



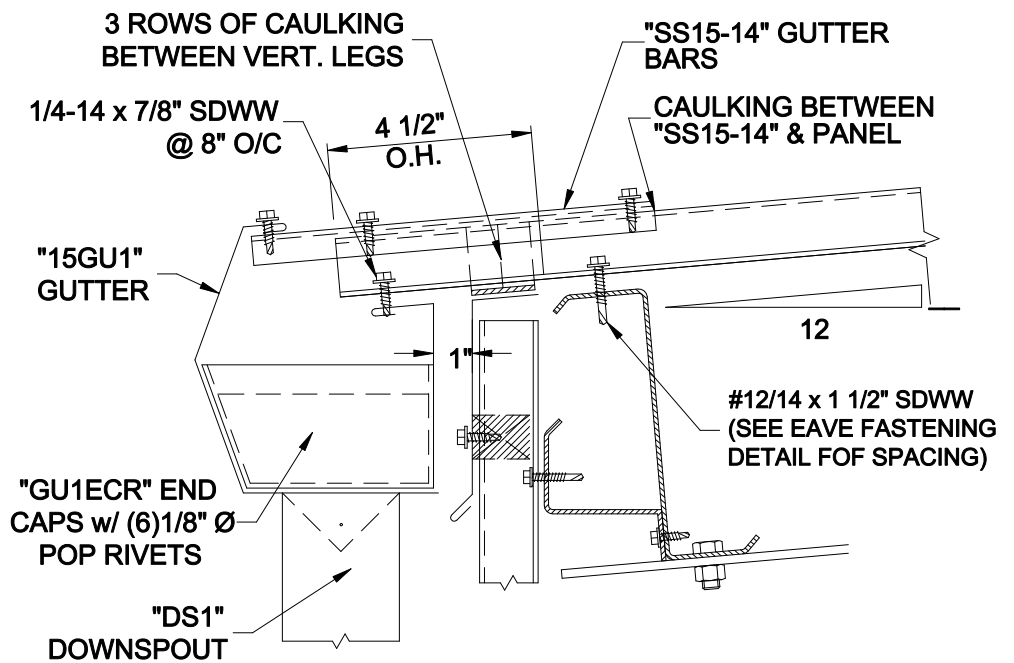
5
"GU1" GUTTER



"SS15-14" GUTTER BARS



MARK	PITCH	"B" DIM.	"C" DIM.	"D" DIM.
SSGU21	1:12	115°	85°	5 1/16"
SSGU22	2:12	119°	81°	5 1/2"
SSGU23	3:12	124°	76°	6"
SSGU24	4:12	128°	72°	6 7/16"
SSGU25	5:12	133°	67°	6 15/16"



MARK	PITCH	"B" DIM.	"C" DIM.	"D" DIM.
15GU11	1:12	115°	85°	5 3/8"
15GU12	2:12	120°	80°	5 3/4"
15GU13	3:12	124°	76°	6 3/16"
15GU14	4:12	129°	71°	6 9/16"
15GU15	5:12	133°	67°	6 15/16"



BOX 515 RAILROAD STREET
SANDY LAKE, PENNSYLVANIA 16145-0515
PHONE: 800-245-0396 ° FAX: 724-376-3864

"FSS-1.5" Standing Seam
Details

Eave w/ Gutter
Detail

DRAWN BY: D. UREY

DATE: 9-27-05

DRAWING NO.

CHECKED BY:

DATE:

FSS15-9