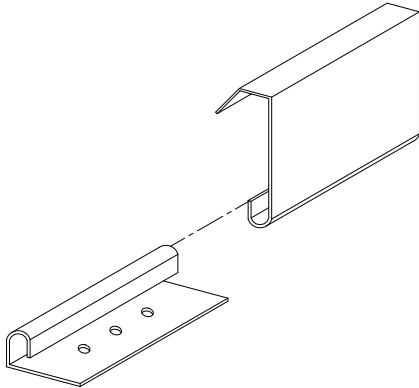
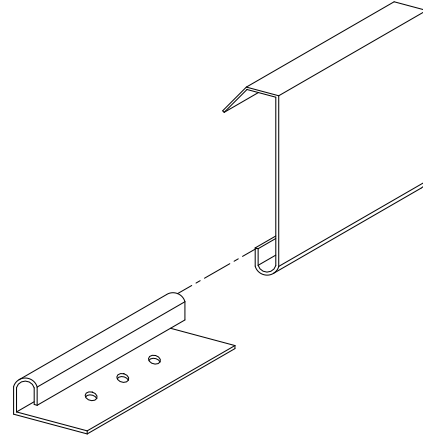


# "FSS-18" STANDARD ACCESSORIES



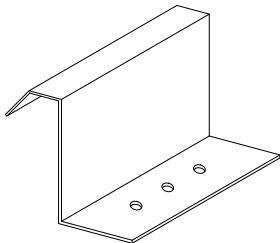
REQ'D: \_\_\_\_\_ PCS.

**2 PC. EXPANSION CLIPS**



REQ'D: \_\_\_\_\_ ROLLS @ 30'-0"

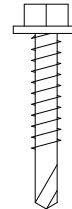
**2 PC. EXPANSION CLIPS USED w/  
INSULATION SHORTING BLOCKS**



REQ'D: \_\_\_\_\_ ROLLS @ 35'-0" LG.

**1 PC. FIXED CLIPS**

**CLIP  
SCREWS**



#12/14 x 1 1/2" SDWW

REQ'D: \_\_\_\_\_ PCS.

**STANDARD CLIP FASTENERS**

**NOTES:**

1. EAVE PLUG CLOSURES ARE A CLOSED CELL POLYETHYLENE FACTORY FORMED TO THE TRAPEZOIDAL AREA OF THE PANEL PROFILE AS SHOWN ABOVE.
2. SEALER TAPE IS A NON-DRYING, NON-SKINNING, BUTYL BASE TAPE SUPPLIED IN 3/32" THICK x 1/2" WIDE x 50' ROLLS.
3. FASTENERS ARE ZINC PLATED CARBON STEEL, 5/16" HEX HEAD, SELF DRILLING & SELF TAPPING METAL SCREWS. FASTENERS CAN BE SUPPLIED WITH PAINTED HEADS TO MATCH ROOFING OR SIDING.
4. CONTACT FACTORY FOR PRICE AND AVAILABILITY OF NON-STANDARD ACCESSORIES.



BOX 515 RAILROAD STREET  
SANDY LAKE, PENNSYLVANIA 16145-0515  
PHONE: 800-245-0396 ° FAX: 724-376-3864

"Fss-18" Standing  
Segm Details

DRAWN BY: RW

DATE: 7-12-00

CHECKED BY: CANON

DATE:

"Fss-18" Standard  
Accessories

DRAWING NO.

FSS18-28