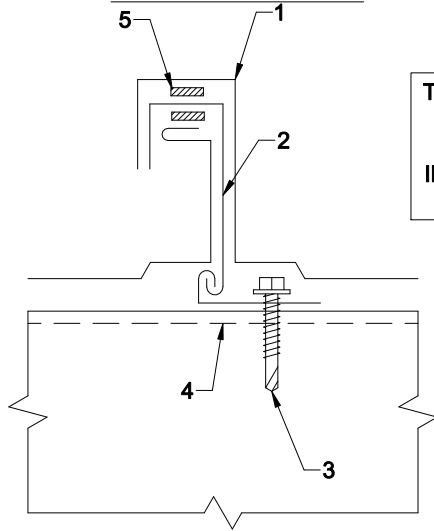
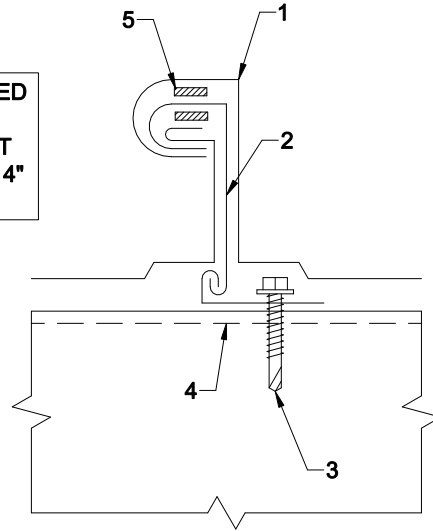


BEFORE SEAMING

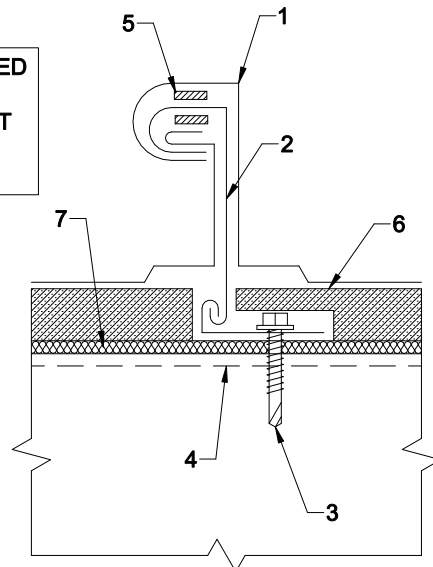
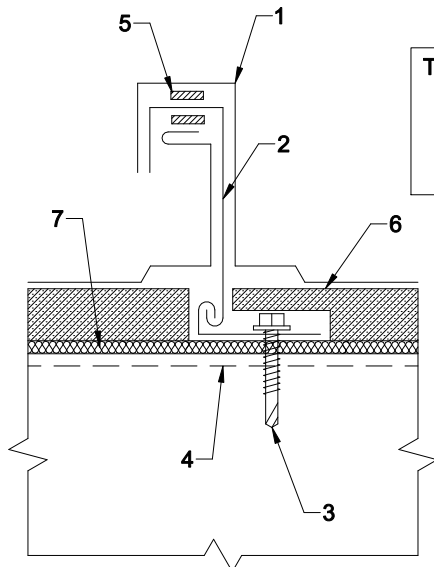


THIS DETAIL TO BE USED
W/ STANDARD
FIBERGLASS BLANKET
INSULATION OF UP TO 4"
THICKNESS.

AFTER SEAMING



THIS DETAIL TO BE USED
W/ STANDARD
FIBERGLASS BLANKET
INSULATION OF 4"
THICKNESS AND UP.



- 1 FLEXOSPAN "FSS-316" STANDING SEAM ROOF PANEL.
- 2 STANDARD 2 PC. EXPANSION CLIP OR STANDARD 1 PC. FIXED CLIP.
- 3 #12/14 X 1 1/2" SELF-DRILLING METAL SCREW W/ 5/8" BONDED WASHER. TWO SCREWS PER CLIP.
- 4 STRUCTURAL STEEL, CEE, ZEE, OR LT. GAUGE OPEN WEB JOIST.
- 5 SEALANT: FIELD APPLIED TO INSIDE OF THE FEMALE RIB OR TO THE TOP OF THE MALE RIB AND IN EITHER CASE FIELD APPLIED OVER AND UNDER EACH CLIP. SEALANT TO BE CAULKING RV 2091-1 AS MANUFACTURED BY RU VAN INC. OR EQUAL, OR 1/8" X 1/2" SEALER TAPE AS MANUFACTURED BY GULF SEAL INC. OR EQUAL.
- 6 INSULATION SHORTING BLOCKS ~ 1" TH. X 3" W. X 16" LG.
- 7 VINYL BACKED FIBERGLASS INSULATION ~ 2" MIN.

NOTES:

1. WHEN USING INSULATION & SHORTING BLOCKS, THE SHORTING BLOCKS ARE APPLIED ONLY TO THE INTERMEDIATE & RIDGE PURLINS. THEREFORE THE EAVE PURLIN MUST BE RAISED 1" TO MAINTAIN PROPER ROOF PLANE ALIGNMENT.
2. IF APPLYING "FSS-316" OVER A DIFFERENT SUBSTRATE THAN SHOWN, PLEASE CALL FACTORY FOR SPECIAL DESIGN CONSIDERATIONS.



BOX 515 RAILROAD STREET
SANDY LAKE, PENNSYLVANIA 16145-0515
PHONE: 800-245-0396 ° FAX: 724-376-3864

"Fss-316" Standing Seam
Details

Seaming Details

DRAWN BY:

RW

DATE:

8/31/00

DRAWING NO.

CHECKED BY:

CANON

DATE:

FSS316-4