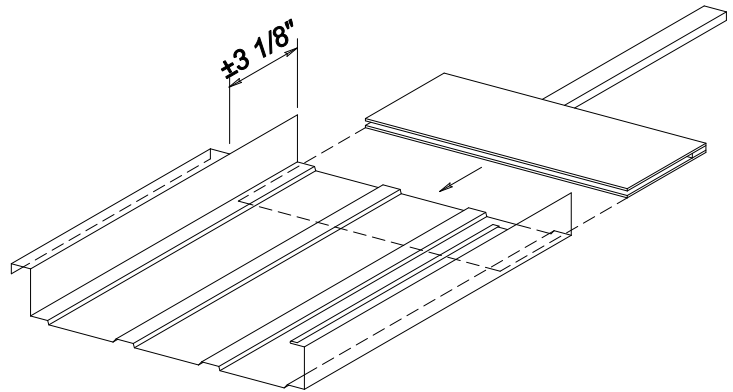
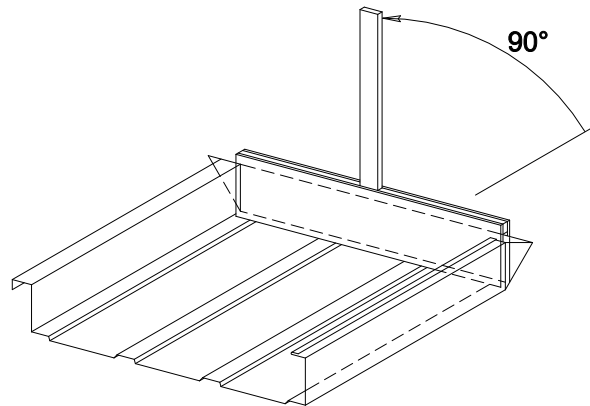


# FIELD PANNING OR BOXING THE END OF THE "FSS-316" ROOF PANEL

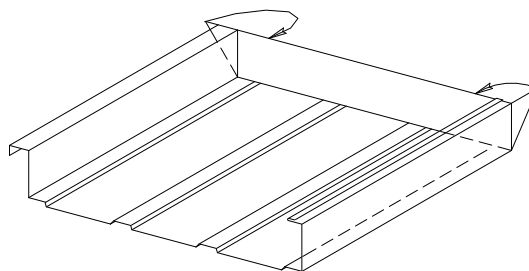
**STEP 1: FIELD COPE THE PANEL BACK 3 1/8" FROM THE END.**



**STEP 2: INSERT THE PANNING TOOL AND FOLD THE PANEL UPWARD. BEND UNTIL A 90° BEND IS ACHIEVED.**



**STEP 3: ONCE THE END BEND IS COMPLETED, FOLD THE EXCESS SIDE MATERIAL AROUND THE BACK OF THE PANEL; NEVER TO THE SIDES. BY FOLDING TO THE BACK IT WILL LOCK THE END BOX INTO PLACE.**



**ERECTOR NOTES:**

1. THE PEAK END OF ALL PANELS SHOULD HAVE THE BOXED END COMPLETED BEFORE STARTING THE ROOF SHEATHING.
2. BEND THE COPED ENDS OUTWARD PRIOR TO MAKING THE 90° BEND. THIS WILL ALLOW THE MATERIAL TO MOVE OUTWARD.
3. PANNING TOOL SHOWN FOR GENERAL PROCEDURE ONLY. THE SHAPE OF THE PANNING TOOL MAY VARY.



BOX 515 RAILROAD STREET  
SANDY LAKE, PENNSYLVANIA 16145-0515  
PHONE: 800-245-0396 ° FAX: 724-376-3864

"Fss-316" Standing Seam  
Details

Panning Detail

DRAWN BY: RW

DATE: 8/31/00

DRAWING NO.

CHECKED BY: CANON

DATE:

FSS316-5