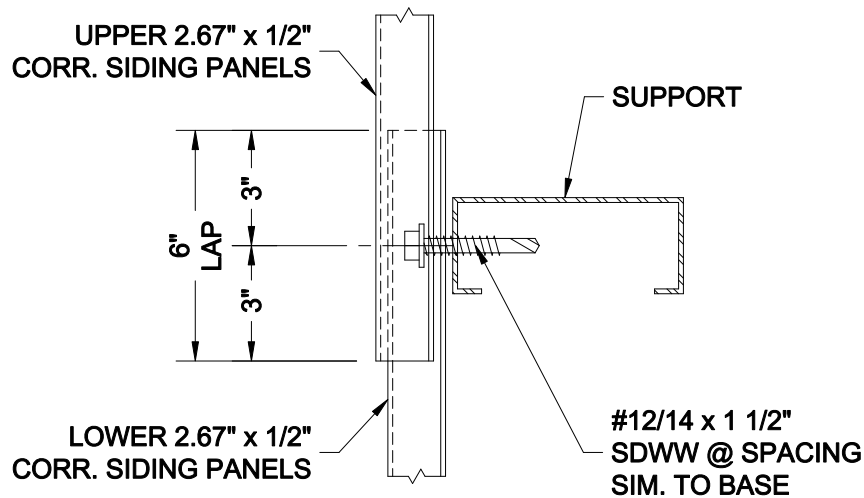


ROOF PANEL END LAP DETAIL



SIDING PANEL END LAP DETAIL

NOTES:

1. TO MAINTAIN CLARITY, THE DETAILS ARE NOT TO SCALE
2. 3/32" x 1/2" SEALER TAPE "ST1" TO BE USED @ END LAPS OF ALL ROOF PANELS REGARDLESS OF ROOF PITCH.
3. ROOF PANEL END LAPS SHOULD BE STAGGERED WHEN POSSIBLE.



BOX 515 RAILROAD STREET
 SANDY LAKE, PENNSYLVANIA 16145-0515
 PHONE: 800-245-0396 ° FAX: 724-376-3864

2.67" x 1/2" Corrugated
 Standard Details

DRAWN BY: RW
 CHECKED BY: CANON

DATE: 2/16/00
 DATE: 2/16/00

Roof & Siding End Lap
 Details

DRAWING NO. 2.67" x 1/2" - 12