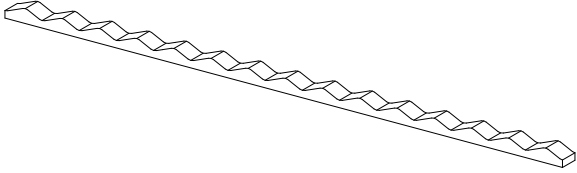
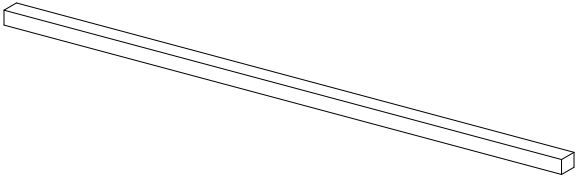
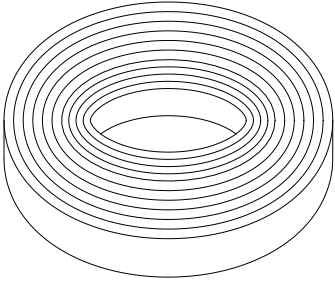
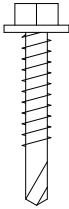
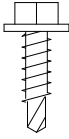


2.67" x 1/2" CORR. STANDARD ACCESSORIES

 <p style="text-align: center;">REQ'D: _____ PCS. @ 3'-4" LG.</p>	 <p style="text-align: center;">REQ'D: _____ LIN. FT. (25' ROLL)</p>
<u>2.67" x 1/2" CORR. CLOSURES</u>	<u>1" x 1" UNIVERSAL CLOSURE</u>
 <p style="text-align: center;">REQ'D: _____ ROLLS @ 50'-0" LG.</p>	<p style="text-align: center;"><u>SHEETING SCREWS</u></p>  <p style="text-align: center;">#12/14 x 1 1/2" SDWW REQ'D: _____ PCS.</p> <p style="text-align: center;"><u>LAP & TRIM SCREWS</u></p>  <p style="text-align: center;">1/4-14 x 7/8" SDWW REQ'D: _____ PCS.</p>
<u>3/32" x 1/2" SEALER TAPE "ST1"</u>	<u>STANDARD FASTENERS</u>

NOTES:

1. 2.67" x 1/2" CORRUGATED CLOSURES ARE A CLOSED CELL POLYETHYLENE FACTORY FORMED TO THE PANEL PROFILE AS SHOWN ABOVE.
2. SEALER TAPE IS A NON-DRYING, NON-SKINNING, BUTYL BASE TAPE SUPPLIED IN 3/32" THICK x 1/2" WIDE x 50' ROLLS.
3. FASTENERS ARE ZINC PLATED CARBON STEEL, 5/16" HEX HEAD, SELF DRILLING & SELF TAPPING METAL SCREWS. FASTENERS CAN BE SUPPLIED WITH PAINTED HEADS TO MATCH ROOFING OR SIDING.
4. CONTACT FACTORY FOR PRICE AND AVAILABILITY OF NON-STANDARD ACCESSORIES.



BOX 515 RAILROAD STREET
SANDY LAKE, PENNSYLVANIA 16145-0515
PHONE: 800-245-0396 ° FAX: 724-376-3864

2.67" x 1/2" Corrugated
Standard Details

DRAWN BY: RW
CHECKED BY: CANON

DATE: 2/29/00
DATE: 2/29/00

2.67" x 1/2" Corrugated
Standard Accessories

DRAWING NO. 2.67" x 1/2" - 17