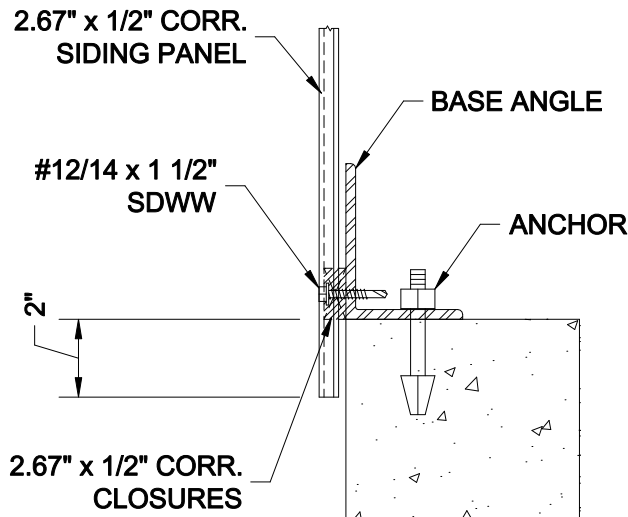
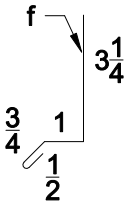


CURB w/ TRIM



CURB w/ CLOSURE



"BD1" BASE TRIM

FLEXOSPAN
 BOX 515 RAILROAD STREET
 SANDY LAKE, PENNSYLVANIA 16145-0515
 PHONE: 800-245-0396 ° FAX: 724-376-3864

2.67" x 1/2" Corrugated
 Standard Details

Base Details

DRAWN BY: RW

DATE: 2/14/00

DRAWING NO.

REVISED BY: CANON
 K. Kemmer

DATE: 5-30-00

2.67" x 1/2" - 9