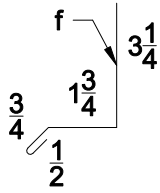
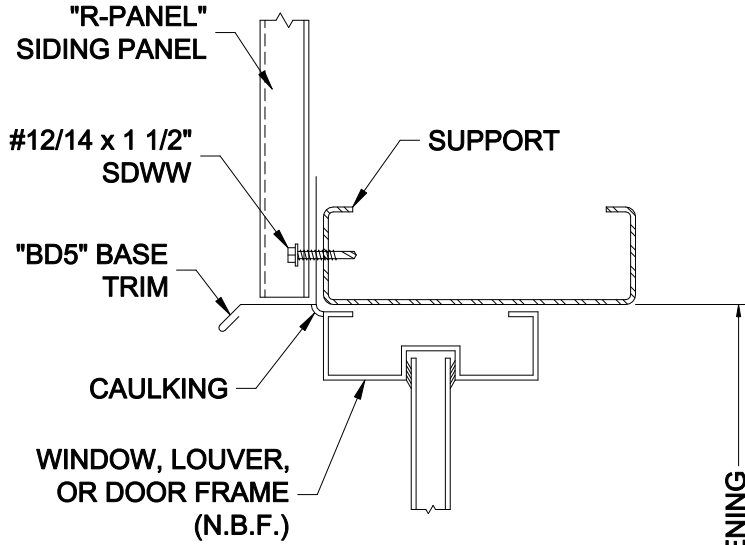


"BD5" BASE TRIM

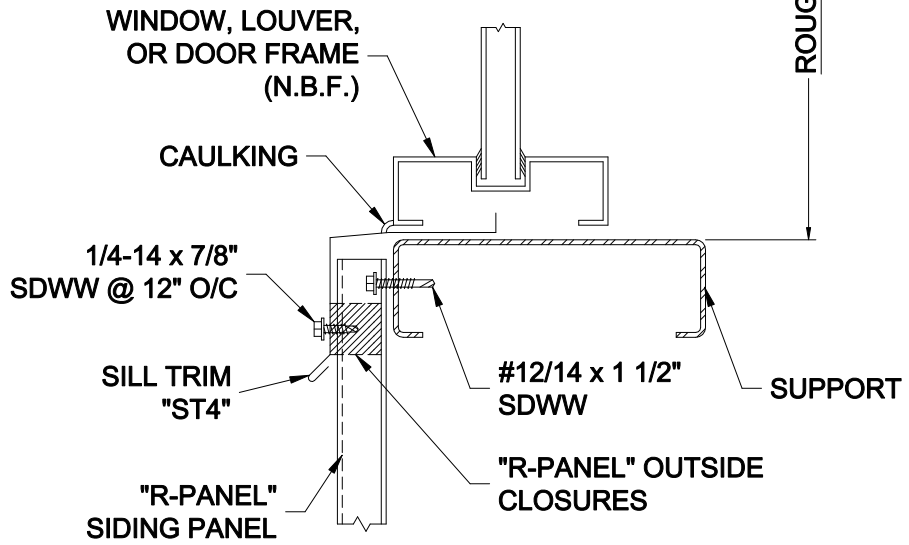


OPENING HEAD

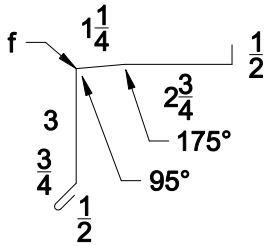


ROUGH OPENING

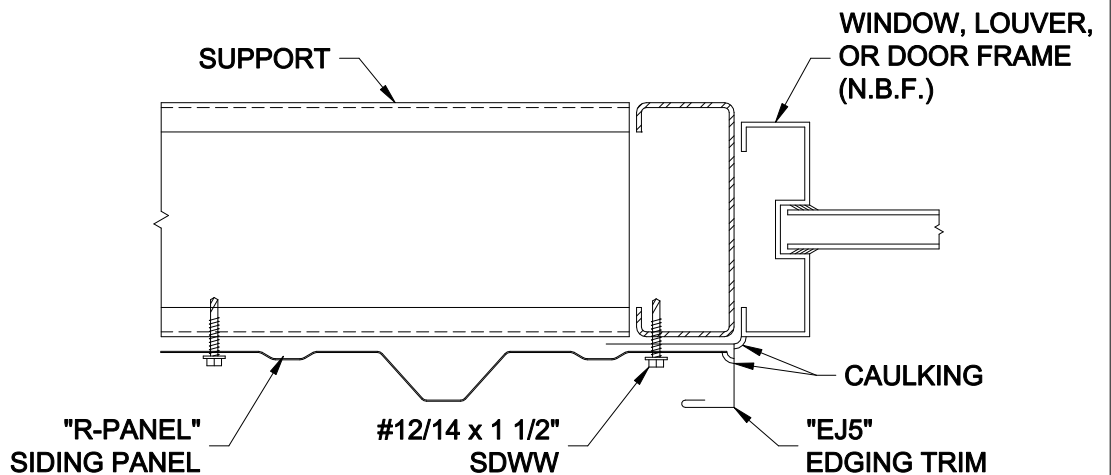
OPENING SILL



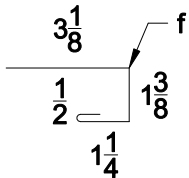
"ST4" SILL TRIM



OPENING JAMB



"EJ5" EDGING TRIM



BOX 515 RAILROAD STREET
SANDY LAKE, PENNSYLVANIA 16145-0515
PHONE: 800-245-0396 ° FAX: 724-376-3864

"R-Panel" Standard
Details

Opening Head, Sill, &
Jamb Details

DRAWN BY: D.UREY

DATE: 10-25-02

DRAWING NO. R-Panel-10

REVISED BY:

DATE: