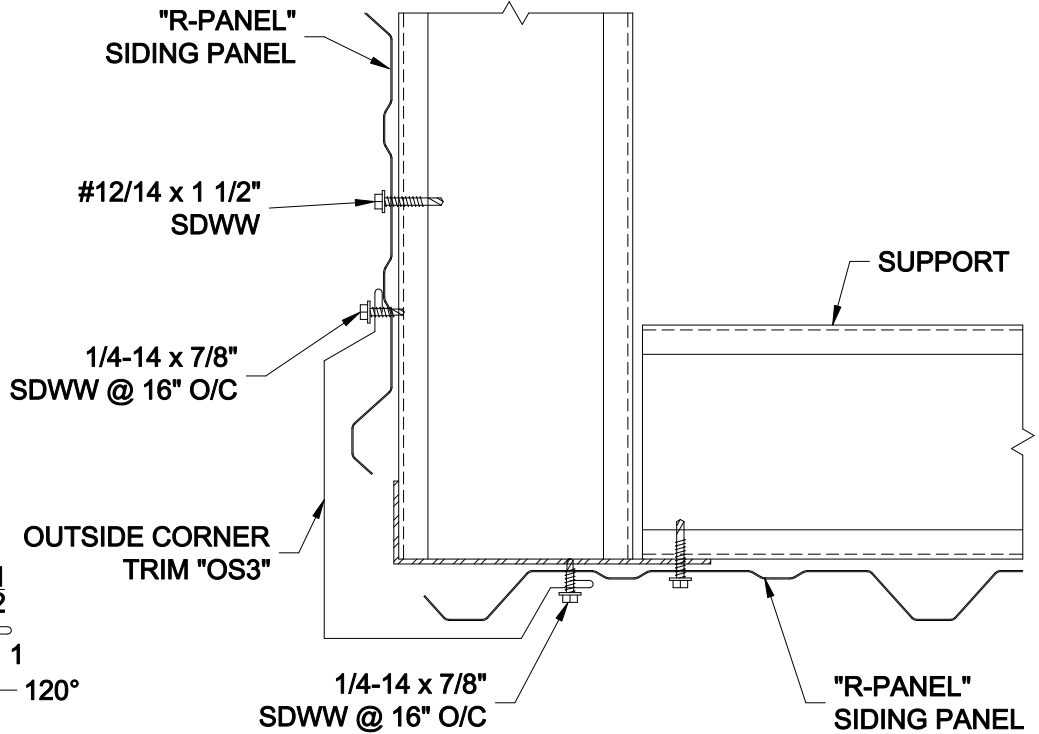
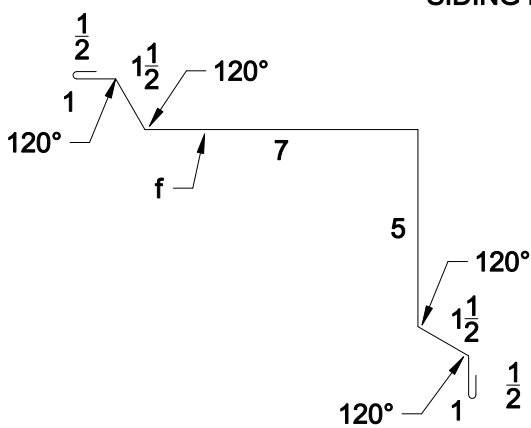


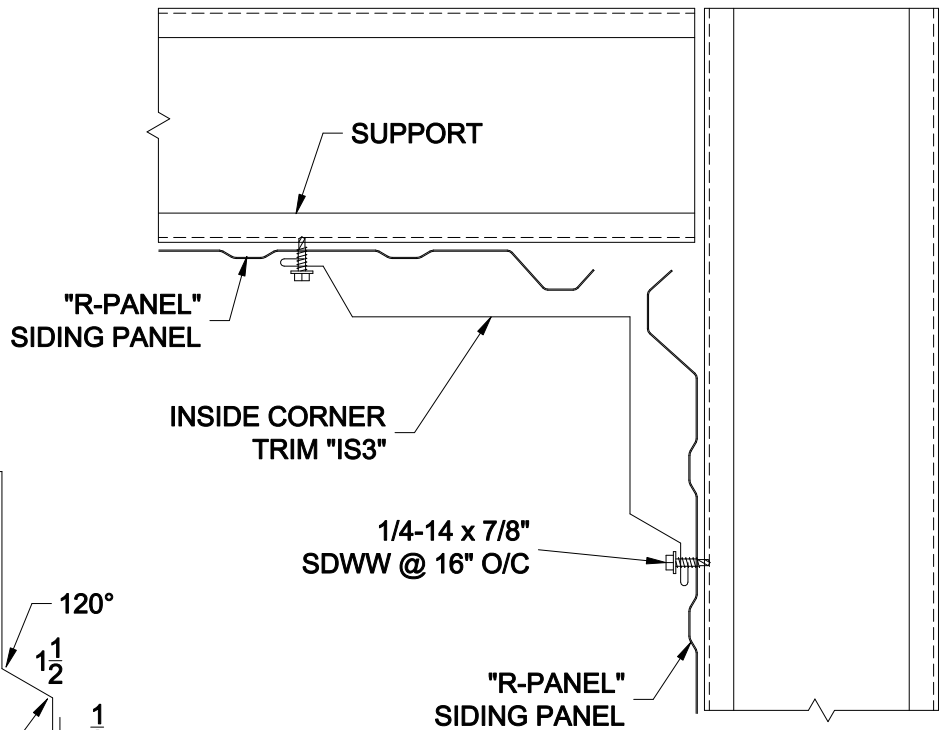
"OS3" OUTSIDE CORNER TRIM



OUTSIDE CORNER DETAIL



"IS3" INSIDE CORNER TRIM



INSIDE CORNER DETAIL



BOX 515 RAILROAD STREET
SANDY LAKE, PENNSYLVANIA 16145-0515
PHONE: 800-245-0396 ° FAX: 724-376-3864

"R-Panel" Standard
Details

Outside & Inside Corner
Details

DRAWN BY: D.UREY

DATE: 10-25-02

DRAWING NO.

REVISED BY:

DATE:

R-Panel-11